

Ref. : JT4262 .pas

Rev. : Initial

Date : 01/10/2013

Page : 1/1

# DISMANTLING JOINTS PN40

## JT4262



**Tecofi**  
VALVE DESIGNER - FRANCE

### APPLICATION

General use : for easy installation and dismantling of valves.

### GENERAL CHARACTERISTICS

Range : from DN 80 up to DN 1600.  
Rigid connection between the connecting pipes.  
Long course.  
PN40.

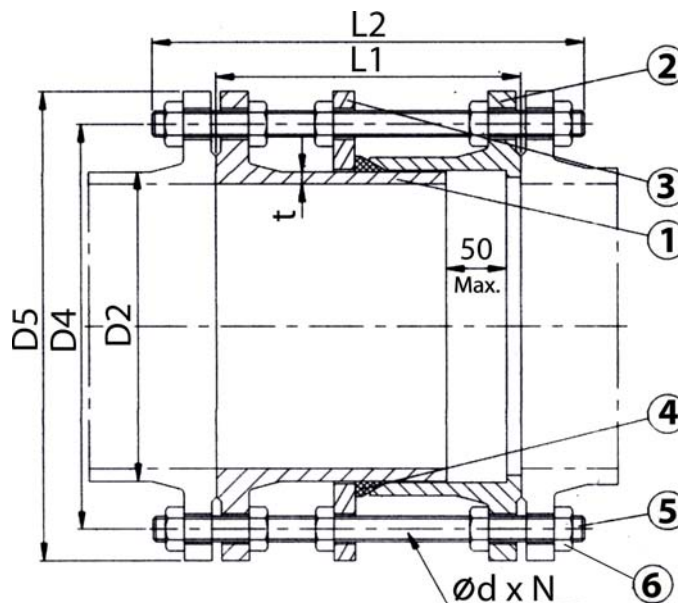
### CONSTRUCTION

6	-	Nut	Steel-Galvanized	
5	-	Stud bolt	Steel-Galvanized	
4	1	Sealing ring	EPDM	
3	1	Retaining flange	Ductile iron EN-GJS-400-15	DIN: GGG40 ASTM: A536 65-45-12 BS: 1563 EN-JS 1030
2	1	Flanged pipe - long	Ductile iron EN-GJS-400-15	DIN: GGG40 ASTM: A536 65-45-12 BS: 1563 EN-JS 1030
1	1	Flanged pipe - short	Ductile iron EN-GJS-400-15	DIN: GGG40 ASTM: A536 65-45-12 BS: 1563 EN-JS 1030
Pos.	Qty.	Description	Material	



### DIMENSIONS

DN		D2	D4	D5	L1	L2	d	N	t
mm	inch								
80	3"	98	160	200	230	380	19	8	7,0
100	4"	118	190	235	240	390	23	8	7,2
125	5"	144	220	270	240	390	28	8	7,5
150	6"	170	250	300	250	400	28	8	7,8
200	8"	222	320	375	250	400	31	12	8,4
250	10"	274	385	450	270	440	34	12	9,0
300	12"	326	450	515	270	440	34	16	9,6
350	14"	378	510	580	290	460	37	16	10,2
400	16"	429	585	660	300	500	40	16	10,8
450	18"	480	610	685	300	500	40	20	11,4
500	20"	532	670	755	320	510	43	20	12,0
600	24"	635	795	890	340	550	49	20	13,2
700	28"	738	935	995	360	560	49	24	14,4
800	32"	842	1030	1140	380	620	56	24	15,6
900	36"	945	1170	1285	400	620	56	28	16,8
1000	40"	1048	1250	1360	420	660	56	28	18,0
1200	48"	1255	1460	1575	470	740	62	32	20,4
1400	56"	1462	1640	1795	500	790	62	36	22,8
1600	64"	1668	1900	2025	520	825	70	40	25,2



### STANDARDS

Flanges in accordance with ISO 2531 PN40