

DISMANTLING JOINTS PN25

JT4253



Tecofi
VALVE DESIGNER - FRANCE

APPLICATION

General use : Easy installation and dismantling of water and drinking water valves.

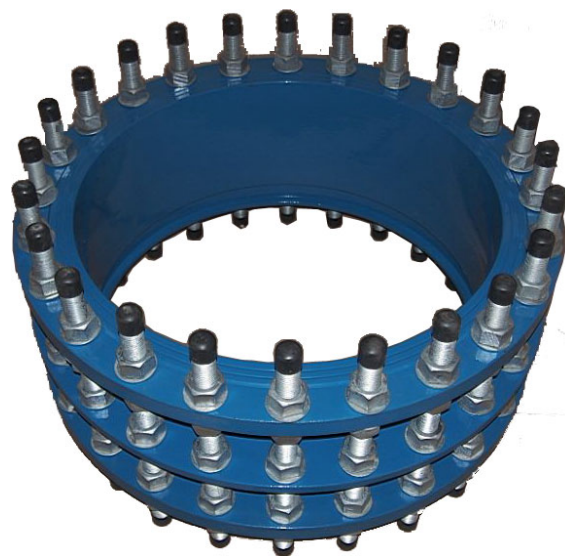
GENERAL CHARACTERISTICS

Range : from DN 80 up to DN 2000.

Steel GEOMET 500® bolts and nuts resistant to the marine atmosphere.
Connection PN25.

CONSTRUCTION

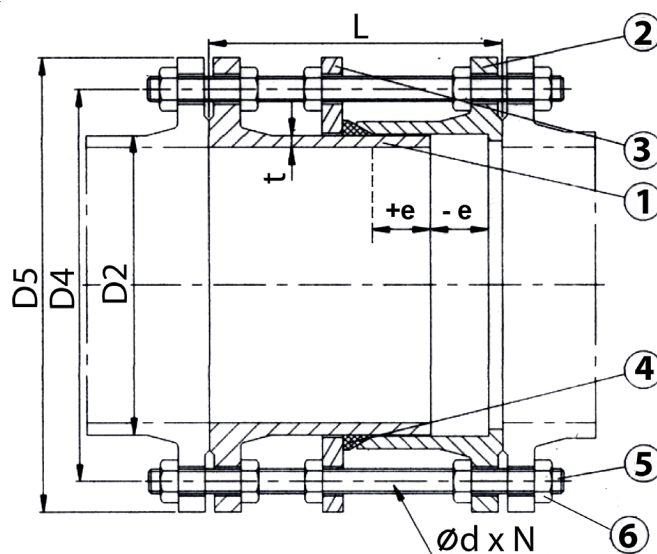
Pos.	Qty.	Description	Material	
6	-	Washer	Steel	GEOMET 500®
5	-	Stud bolt	Steel 4.8	GEOMET 500®
4	1	Sealing ring	EPDM	WRAS
3	1	Retaining flange	Ductile iron EN-GJS-500-7	DIN: GGG50 ASTM: A536 70-50-05 BS: 500/7
2	1	Flanged pipe - long	Ductile iron EN-GJS-500-7	DIN: GGG50 ASTM: A536 70-50-05 BS: 500/7
1	1	Flanged pipe - short	Ductile iron EN-GJS-500-7	DIN: GGG50 ASTM: A536 70-50-05 BS: 500/7



Setting range : $\pm e$

DIMENSIONS

DN		D2	D4	D5	L	e	d	N	t	Weight (kg)
mm	inch									
80	3"	98	160	200	185	25	8	19	7	16
100	4"	118	190	235	195	25	8	23	7,2	22
125	5"	144	220	270	195	25	8	28	7,2	30
150	6"	170	250	300	205	25	8	28	7,8	35
200	8"	222	310	360	205	25	12	28	8,4	51
250	10"	274	370	425	225	25	12	31	9	74
300	12"	326	430	485	225	25	16	31	9,6	91
350	14"	378	490	555	235	25	16	34	10,2	110
400	16"	429	550	620	255	25	16	37	10,8	178
450	18"	480	600	670	255	25	20	37	11,4	226
500	20"	532	660	730	275	25	20	37	12	233
600	24"	635	770	845	295	25	20	40	13,2	312
700	28"	738	875	960	315	25	24	43	14,4	408
800	32"	842	990	1085	335	25	24	49	15,6	553
900	36"	945	1090	1185	355	25	28	49	16,8	700
1000	40"	1048	1210	1320	375	25	28	56	18	930
1200	48"	1255	1420	1530	425	25	32	56	20,4	1305
1400	56"	1462	1640	1755	455	25	36	62	22,8	1550
1500	60"	1565	1750	1865	465	25	36	62	26	1850
1600	64"	1668	1860	1975	485	25	40	62	25,2	2150
1800	72"	1895	2070	2195	515	25	44	70	32,2	3420
2000	80"	2082	2300	2425	555	25	48	70	35	3750



WORKING CONDITIONS

Maximum working pressure: 25 bar
Maximum working temperature: +4°C / +110°C

STANDARDS

Pressure test according to standard: EN12266-1:
Body: 37,5 bar

Connection suitable with flanges EN 1092-2 PN25

Epoxy coating RAL 5015 250 microns thickness - WRAS