

Ref. : JT4203 .pas

Rev. : D

Date : 31/03/2020

Page : 1/1

DISMANTLING JOINTS PN10

JT4203



APPLICATION

General use : Easy installation and dismantling of water and drinking water valves .

GENERAL CHARACTERISTICS

Range : from DN 200 up to DN 2000.
Steel GEOMET 500® bolts and nuts resistant to the marine atmosphere.
Connection PN10.

CONSTRUCTION

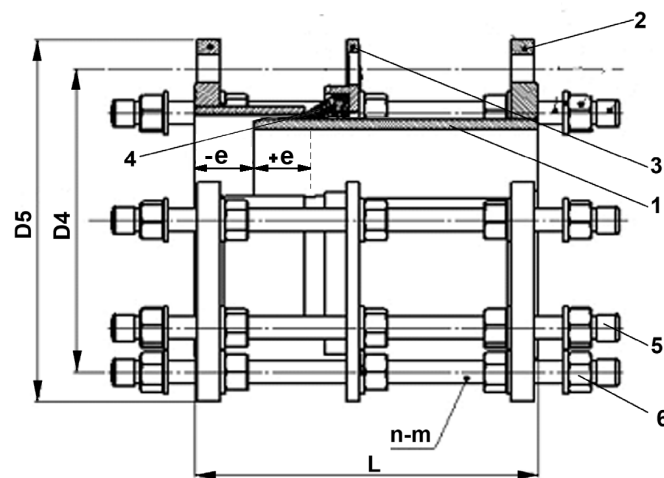
6	-	Washer	Steel	GEOMET 500®
5	-	Stud bolt	Steel 4.8	GEOMET 500®
4	1	Sealing ring	EPDM	WRAS
3	1	Retaining flange	Ductile iron EN-GJS-500-7	DIN: GGG50 ASTM: A536 70-50-05 BS: 500/7
2	1	Flanged pipe - long	Ductile iron EN-GJS-500-7	DIN: GGG50 ASTM: A536 70-50-05 BS: 500/7
1	1	Flanged pipe - short	Ductile iron EN-GJS-500-7	DIN: GGG50 ASTM: A536 70-50-05 BS: 500/7
Pos.	Qty.	Description	Material	



Setting range : ± e

DIMENSIONS

DN		e	L	D5	D4	n-m	Flange thickness	Weight (kg)
mm	inch							
200	8"	25	210	340	295	M20*350*8	16+3	35,9
250	10"	25	225	400	350	M20*370*12	19+3	48,4
300	12"	25	240	455	400	M20*390*12	20.5+3	53,5
350	14"	25	240	505	460	M20*400*16	20.5+3	78
400	16"	25	250	565	515	M24*420*16	20.5+3	104
450	18"	25	270	615	565	M24*435*20	21.5+3	138
500	20"	25	270	670	620	M24*440*20	22.5+3	140
600	24"	25	290	780	725	M27*460*20	25+3	167
700	28"	25	300	895	840	M27*480*24	27.5+3	235
800	32"	25	315	1015	950	M30*500*24	30+3	324
900	36"	25	325	1115	1050	M30*500*28	32.5+3	380
1000	40"	25	335	1230	1160	M33*545*28	35+3	481
1200	48"	25	345	1455	1380	M36*580*32	40+3	526
1400	56"	25	355	1675	1590	M39*630*36	41+3	1250
1500	60"	25	375	1785	1700	M39*665*36	42+3	1450
1600	64"	25	375	1915	1820	M45*700*40	44+3	1550
1800	72"	25	395	2115	2020	M45*730*40	47+3	2350
2000	80"	25	415	2325	2230	M45*730*48	49+3	2650



WORKING CONDITIONS

Maximum working pressure: 10 bar
Maximum working temperature: +4°C / +110°C

STANDARDS

Pressure test according to standard: EN12266-1:
Body: 15 bar

Connection suitable with flanges EN 1092-2 PN10

Epoxy coating RAL 5015, 250 microns thickness - WRAS

TECOFI France - 83, Rue Marcel Mérieux 69960 Corbas - FRANCE
Tél. +33 (0) 4 72 79 05 79 - Fax +33 (0) 4 78 90 19 19 / +33 (0) 4 72 79 05 70
Adresses e-mail : sales@tecofi.fr / Site web : www.tecofi.fr