

DISMANTLING JOINT

TECHNICAL PASSPORT

PN10 DISMANTLING JOINT

JT4203-EA

APPLICATION

Dismantling joints mounted with flanged shut-off valves facilitate their assembly and disassembly by compensating for the axial movement of the piping.



Fluids : water, drinking water, compatible fluids, etc.

GENERAL CHARACTERISTICS

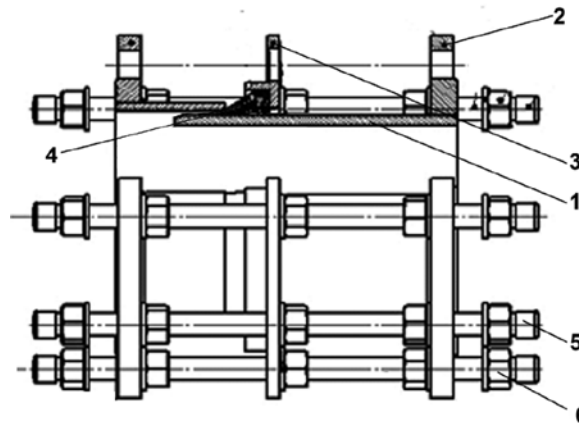
Range : from DN200 to DN1200.
 Connection PN10 according to EN 1092-2.
 GEOMET 500® steel tie rods and nuts.
 Epoxy coating.
 Adjustment of +/-25 mm.



ACS

Epoxy coated body according to EN 14901
 RAL 5015, 250 µm thickness

CONSTRUCTION



Pos.	Description	Material	Equivalence		
			DIN	ASTM	BS
1	Flanged pipe-long	Ductile iron EN-GJS-500-7	GGG50	A536 70-50-05	BS 500/7
2	Flanged pipe-short	Ductile iron EN-GJS-500-7	GGG50	A536 70-50-05	BS 500/7
3	Retaining flange	Ductile iron EN-GJS-500-7	GGG50	A536 70-50-05	BS 500/7
4	Sealing ring	ACS EPDM (WRAS QUALITY)			
5	Stud bolt	Steel 4.8	GEOMET 500®		
6	Nut & tie rods	Steel	GEOMET 500®		

PRODUCT APPROVALS

ERC **ACS** n° 21 ACC LY 758

Tecofi France

83 rue Marcel Mérieux - 69960 Corbas
 Tél. +33 (0)4 72 79 05 79 - Fax. +33 (0)4 78 90 19 19
 E-mail : sales@tecofi.fr - www.tecofi.fr

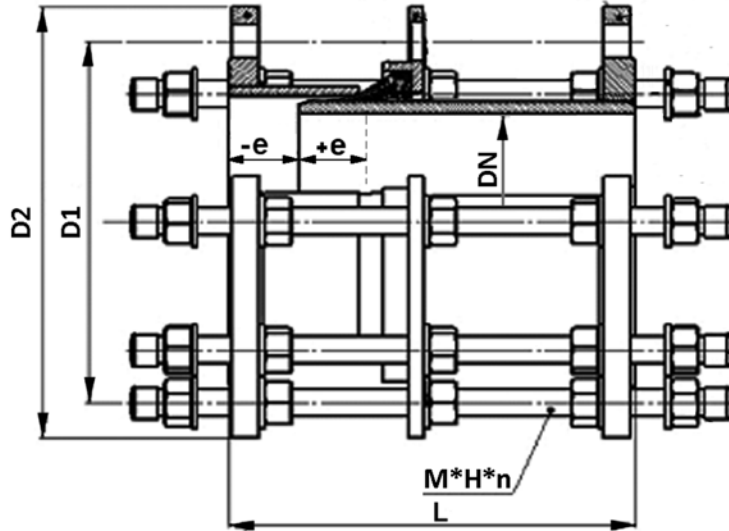


DISMANTLING JOINT

TECHNICAL PASSPORT

JT4203-EA

DIMENSIONS



DN		e	L	øD1	øD2	M*H*n	FLANGE THICKNESS	Weight (kg)
mm	inch							
200	8"	25	210	340	295	M20*350*8	16+3	39.4
250	10"	25	225	400	350	M20*370*12	19+3	48.4
300	12"	25	240	455	400	M20*390*12	20.5+3	53.5
350	14"	25	240	505	460	M20*400*16	20.5+3	78
400	16"	25	250	565	515	M24*420*16	20.5+3	104
450	18"	25	270	615	565	M24*435*20	21.5+3	138
500	20"	25	270	670	620	M24*440*20	22.5+3	140
600	24"	25	290	780	725	M27*460*20	25+3	167
700	28"	25	300	895	840	M27*480*24	27.5+3	235
800	32"	25	315	1015	950	M30*500*24	30+3	324
900	36"	25	325	1115	1050	M30*500*28	32.5+3	380
1000	40"	25	335	1230	1160	M33*545*28	35+3	481
1200	48"	25	345	1455	1380	M36*580*32	40+3	526

WORKING CONDITIONS

Maximum working pressure: 10 bar

Maximum working temperature: +4°C / +110°C

Tecofi France

83 rue Marcel Mérieux - 69960 Corbas

Tél. +33 (0)4 72 79 05 79 - Fax. +33 (0)4 78 90 19 19

E-mail : sales@tecofi.fr - www.tecofi.fr

