

Ref. : FRL1700

Rev. : Initial

Date : 29/04/2015

Page : 1/1

# FILTER REGULATOR WITH LUBRICATOR

## FRL1700



### APPLICATION

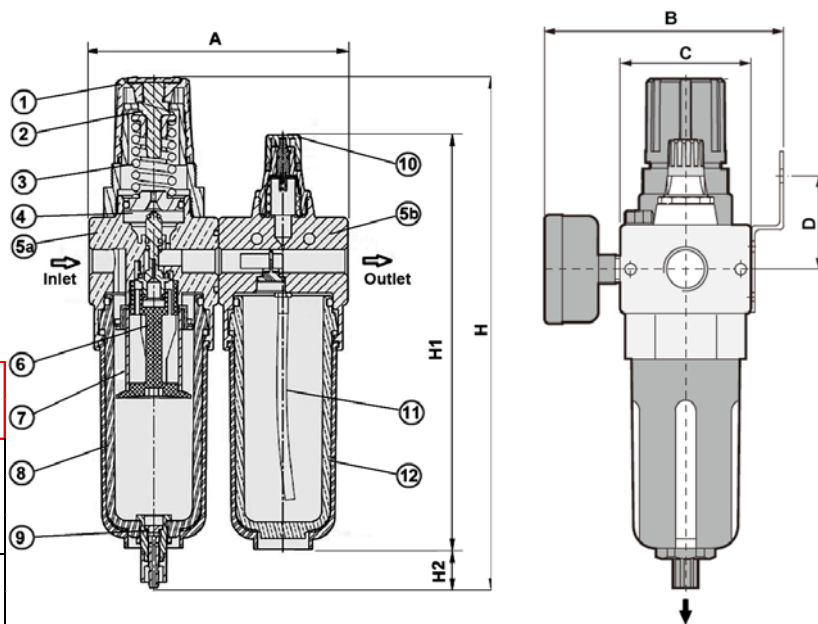
Treatment of compressed air, compressed gas.

### GENERAL CHARACTERISTICS

Range from 1/4" to 1".  
 Strong aluminium body.  
 With gauge indicated the downstream pressure.  
 Plastic bowl with semi automatic drain.  
 Installation in horizontal position following the direction indicated on the body.

### CONSTRUCTION

12	Lubricator bowl	PC
11	Tube	PU
10	Dial	POM
9	Semi-automatic drain	POM
8	Filtrering bowl	PC
7	Filtrering element	PE
6	Filter support	Nylon
5b	Lubricator body	Aluminium alloy
5a	Filter regulator body	Aluminium alloy
4	Piston	Brass
3	Spring	Alloy steel
2	Setting screw	Alloy steel
1	Handwheel	Nylon
<b>Pos.</b>	<b>Description</b>	<b>Material</b>



### DIMENSIONS

DN	A	B	C	D	H	H1	H2	Weight (kg)
mm inch								
8 1/4"								
10 3/8"	128	117	64	45	247	203	15	1,4
15 1/2"								
20 3/4"	179	120,5	-	86	270	235	14	2,0
25 1"								

### WORKING CONDITIONS

Working pressure: 0.5 - 10 bar (1/4" - 1/2")  
 0.5 - 12 bar (3/4" - 1")

Test pressure: 15 bar  
 Regulator accuracy: 0.2 bar

Working temperature: 0°C / +50 °C  
 Ambient temperature : -10°C / +60°C

### STANDARDS

Fabrication according to ISO 9001  
 Threaded gaz connection according to ISO 228-1.

### FLOW RATE

