

# FLANGED TYPE «Y» STRAINER

## TECHNICAL PASSPORT

### FLANGED ASME B16.5 CLASS 150 «Y» STRAINER BOLTED BONNET

FI 5241

#### APPLICATION

Protection of installations and equipment present on them against impurities and large solid particles.

**Area of use:** Water distribution, petrochemical, petroleum and gas industry.



**Fluids:** water, gas oil, steam.

#### GENERAL CHARACTERISTICS

**Range:** from DN50 to DN300.

Removable stainless steel filter

- Flanges R.F. Class 150 (PN20)
- Horizontal or vertical position with descendant fluid (respect the flow direction indicated by the arrow )
- Mesh 1 mm for DN50 (2»), 1.5 mm from DN65 to 400 (2»1/2 to 16»)
- Bolted bonnet with draining cap threaded NPT
- Grey acrylic painting RAL 7001 color, 60 µm thickness



#### STANDARDS

<b>Face to face</b>	Face to face dimension according to ASME B16.10 table 1 A15 series and EN 558 series 10 (EN558 series 7 for DN150 6»)
<b>Connection</b>	Flanges according to ASME B16.05 Class 150
<b>Tests</b>	Pressure tests according to API 598, table 6

#### PRODUCT APPROVALS



#### Tecofi France

83 rue Marcel Mérieux - 69960 Corbas  
Tél. +33 (0)4 72 79 05 79 - Fax. +33 (0)4 78 90 19 19  
E-mail : sales@tecofi.fr - [www.tecofi.fr](http://www.tecofi.fr)

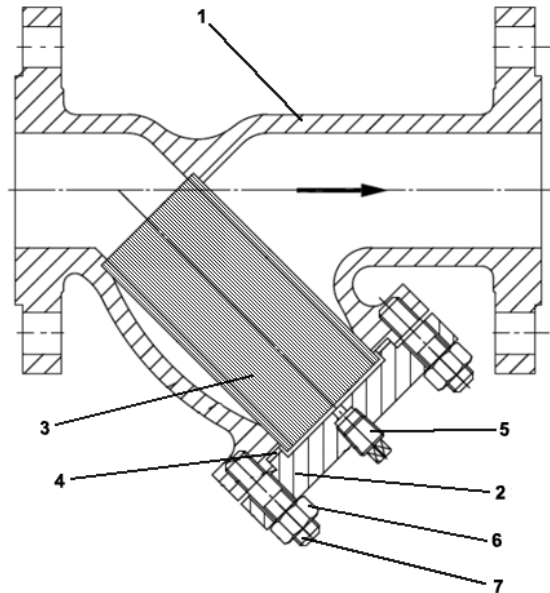


# FLANGED TYPE «Y» STRAINER

## TECHNICAL PASSPORT

FI 5241

### CONSTRUCTION



Pos.	Description	Material
1	Body	Steel ASTM A216 WCB
2	Bonnet	Steel ASTM A216 WCB
3	Screen	Stainless steel AISI 304
4	Bonnet gasket	Graphite + Inox AISI 304
5	Drain plug	Steel
6	Nut	Steel ASTM A194 Gr. 2H
7	Tie rod	Steel ASTM A193 Gr. B7

The photographs and technical art works are not contractual. The specifications of the presented products are open to modifications without previous advice

### Tecofi France

83 rue Marcel Mérieux - 69960 Corbas  
Tél. +33 (0)4 72 79 05 79 - Fax. +33 (0)4 78 90 19 19  
E-mail : sales@tecofi.fr - [www.tecofi.fr](http://www.tecofi.fr)

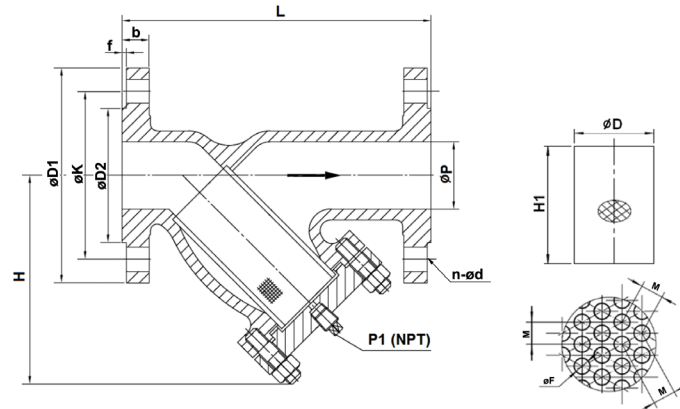


## FLANGED TYPE «Y» STRAINER

### TECHNICAL PASSPORT

FI 5241

#### DIMENSIONS



DN		L	ØD	ØP	P1	H	H1	M	Mesh (mm)	ØD1	ØD2	ØK	n	Ød	b	f	Weight (kg)
mm	inch																
50	2"	203	55	50	1/2"	146	110	3	1	150	92.1	120.7	4	19	16.3	2	8
65	2 1/2"	216	60	65	1/2"	156	120	3.5	1.5	180	104.8	139.7	4	19	17.9	2	11
80	3"	241	80	80	1/2"	175	135	3.5	1.5	190	127	152.5	4	19	19.5	2	15
100	4"	292	105	100	1/2"	227	175	3.5	1.5	230	157.2	190.5	8	19	24.3	2	24
150	6"	406	150	150	3/4"	283	210	3.5	1.5	280	215.9	241.5	8	22	25.9	2	39
200	8"	495	190	200	3/4"	372	275	3.5	1.5	345	269.9	298.5	8	22	29	2	67.2
250	10"	622	235	250	1"	443	355	3.5	1.5	405	323.8	362	12	26	3.06	2	133
300	22"	699	280	300	1"	495	365	3.5	1.5	485	381	432	12	26	32.2	2	198

#### WORKING CONDITIONS

Maximum working pressure : 20 bar  
 Maximum working temperature : -29°C / +425°C

**Tecofi France**

83 rue Marcel Mérieux - 69960 Corbas  
 Tél. +33 (0)4 72 79 05 79 - Fax. +33 (0)4 78 90 19 19  
 E-mail : sales@tecofi.fr - [www.tecofi.fr](http://www.tecofi.fr)

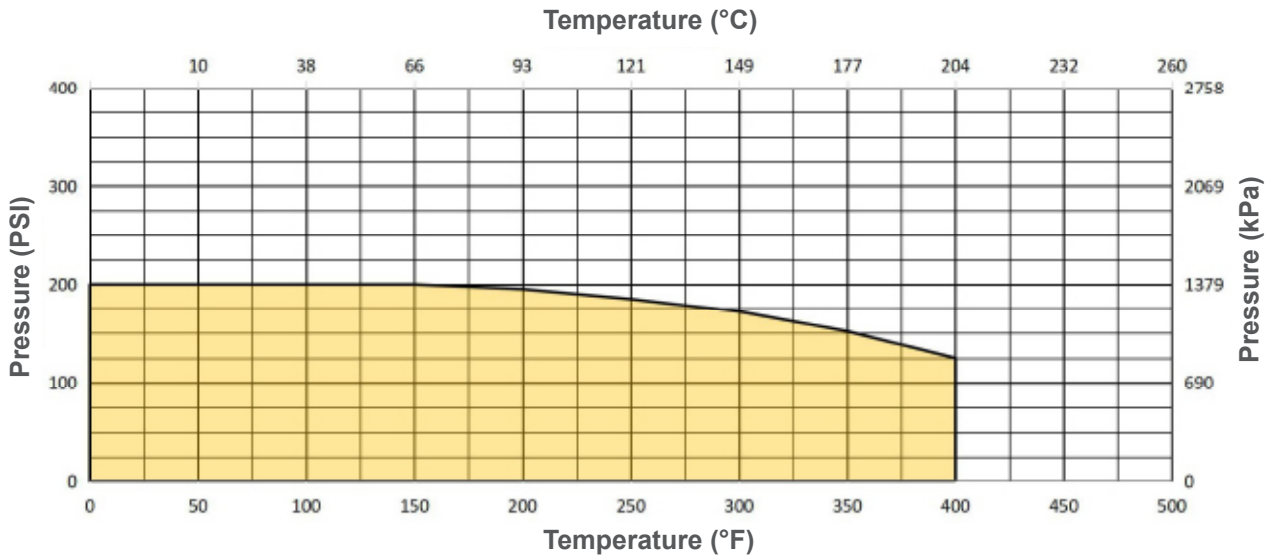


# FLANGED TYPE «Y» STRAINER

## TECHNICAL PASSPORT

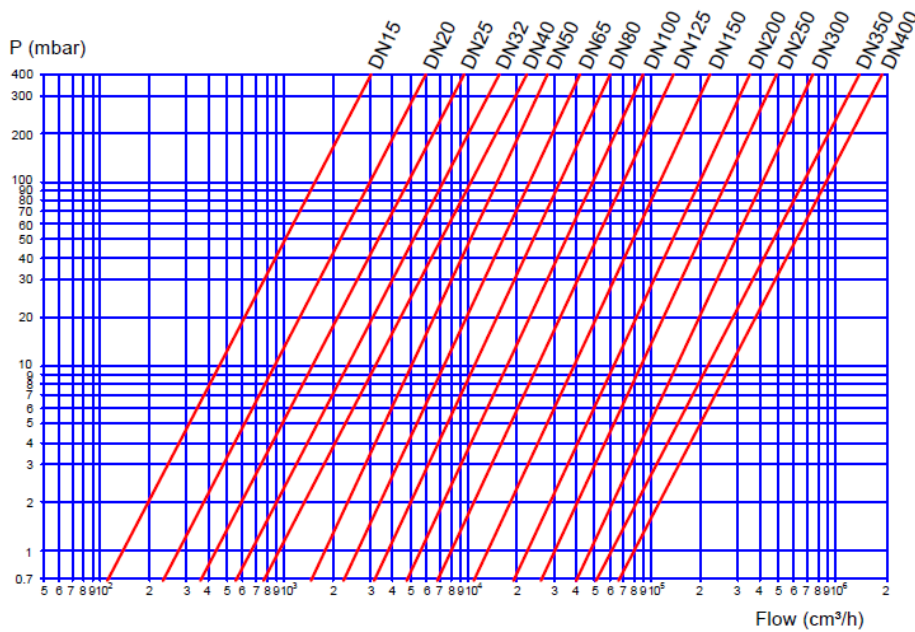
FI 5241

### WORKING CONDITIONS



1 bar - 100 kPa

### HEAD LOSS CHART



The photographs and technical art works are not contractual. The specifications of the presented products are open to modifications without previous advice.

### Tecofi France

83 rue Marcel Mérieux - 69960 Corbas  
Tél. +33 (0)4 72 79 05 79 - Fax. +33 (0)4 78 90 19 19  
E-mail : sales@tecofi.fr - [www.tecofi.fr](http://www.tecofi.fr)

