

Ref. : F 5150.pas

Rev. : Initial

Date : 10/12/2007

Page : 1/1

BSP THREADED TYPE "Y" STRAINER PN 136

F 5150



Tecofi
FAREX FLUID SOLUTION DESIGNER

APPLICATION

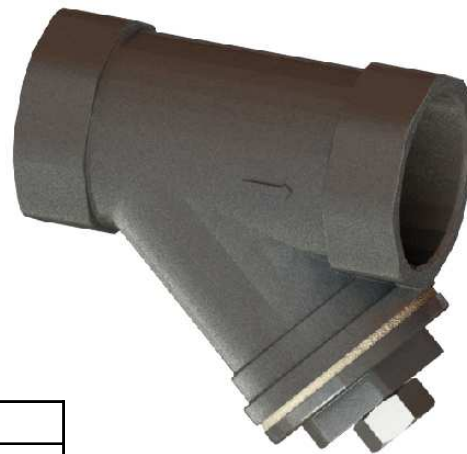
- General use : filtering for all kinds of fluids.

GENERAL CHARACTERISTICS

- Range : from DN 1/4" to DN 2".
- Dismountable stainless steel strainer
- With removable cap purge.
- PN 136.

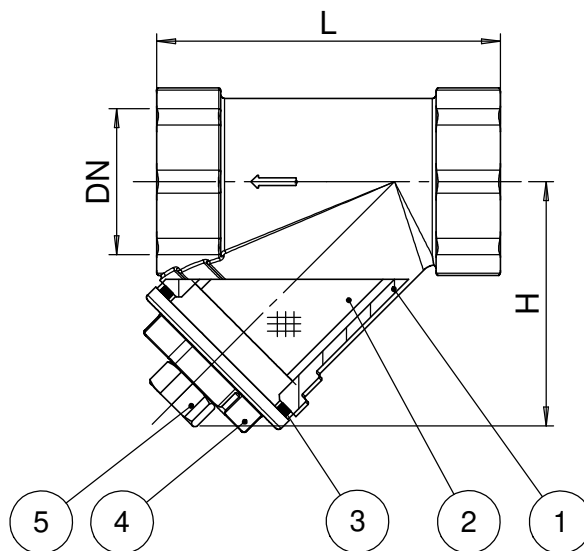
CONSTRUCTION

5	1	Drain plug	Steel	
4	1	Gasket	Fiber	
3	1	Cover	Steel	DIN: GS-C25 ASTM: A216 Grade WCA BS: 161 Grade B
2	1	Strainer	Stainless steel 304	DIN: G-X6CrNi18 9 ASTM: Grade CF8 BS: 304 C15
1	1	Body	Cast steel	DIN: GS-C25 ASTM: A216 Grade WCA BS: 161 Grade B
Pos.	Qty.	Description	Material	



DIMENSIONS

DN		L	H	Mesh (mm)	Weight (kg)
mm	inch				
8	1/4"	90	60	0,8	0,85
10	3/8"	90	60		0,78
15	1/2"	90	60		0,73
20	3/4"	110	75		1,22
25	1"	130	93		1,88
32	1" 1/4"	160	120		4,75
40	1" 1/2"	160	120		4,45
50	2"	160	145		6,5



WORKING CONDITIONS

Working temperature : -29°C/+425°C

Maximum working pressure : 136.2 bar

Test procedures are established according to standard
EN 12266-1, DIN 3230, BS 6755 et ISO 5208:
Corps: 82,5 bar

STANDARDS

BSP threaded according to standard ISO 228-1.