

# BASKET TYPE STRAINER

## TECHNICAL PASSPORT

### FLANGED PN25 BASKET STRAINER DUCTILE IRON BODY

**F4256**

#### APPLICATION

The basket filter is intended to be installed upstream of pumps, water meters, control valves and control devices to fight against the presence in the system of unwanted materials such as : leaves, pieces of wood, pieces of stone, etc.



**Fluids:** clear water , compatible liquids.

#### GENERAL CHARACTERISTICS

**Range:** from DN100 to DN1000.

- Hermetically closed cylindrical body
- Perforated sheet basket (holes: 5mm) easily removable
- ISO flanges for pipe mounting
- Unidirectional operation: mounting direction is indicated by an arrow on the body

#### Epoxy coating:

- Epoxy powder painting bonded by electrostatic fusion (DN100-400)
- Liquid epoxy paint (DN450-1000)



#### STANDARDS

Connection	Flange connection PN25 according to EN1092-2, ISO 7005/2 , BS4504.
------------	--

#### PRODUCT APPROVALS



#### Tecofi France

83 rue Marcel Mérieux - 69960 Corbas  
Tél. +33 (0)4 72 79 05 79 - Fax. +33 (0)4 78 90 19 19  
E-mail : sales@tecofi.fr - [www.tecofi.fr](http://www.tecofi.fr)



## BASKET TYPE STRAINER

### TECHNICAL PASSPORT

F4256

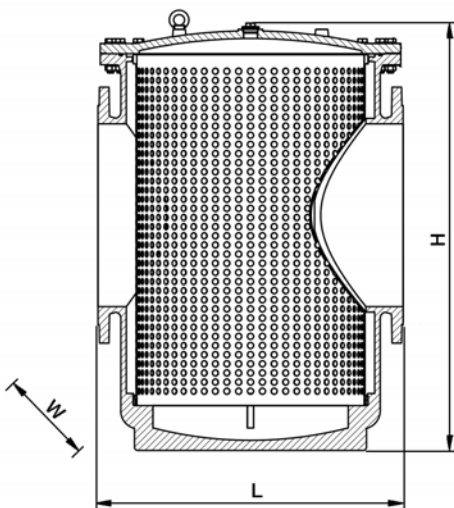
#### CONSTRUCTION



Pos.	Description	Material
1	Body	Ductile iron GGG40
2	Cover	Ductile iron GGG40
3	Screen	Stainless steel 304
4	Gasket	NBR
5	Screw	Stainless steel A2
6	Nut	Stainless steel A2
7	Washer	Stainless steel A2
8	Plug	Brass
9	Eyebolt	Stainless steel 304
10	Drain plug	Stainless steel 304

Component	Coating
Body (1)	Epoxy Liquid RAL 5005 250 microns
Cover (2)	

#### DIMENSIONS



DN		L	H	W	Weight (kg)
mm	inch				
100	4"	330	368	280	42
125	5"	360	421	323	56
150	6"	390	473	365	73
200	8"	460	581	435	122
250	10"	530	701	529	179
300	12"	630	728	607	264
350	14"	690	825	641	305
400	16"	750	921	675	335
450	18"	810	1042	742	390
500	20"	880	1127	820	569
600	24"	1000	1388	945	962
700	28"	1130	1583	1088	1460
800	32"	1250	1755	1230	1896
1000	40"	1500	2579	1490	2040

The photographs and technical art works are not contractual. The specifications of the presented products are open to modifications without previous advice

**Tecofi France**

83 rue Marcel Mérieux - 69960 Corbas

Tél. +33 (0)4 72 79 05 79 - Fax. +33 (0)4 78 90 19 19

E-mail : sales@tecofi.fr - [www.tecofi.fr](http://www.tecofi.fr)



# BASKET TYPE STRAINER

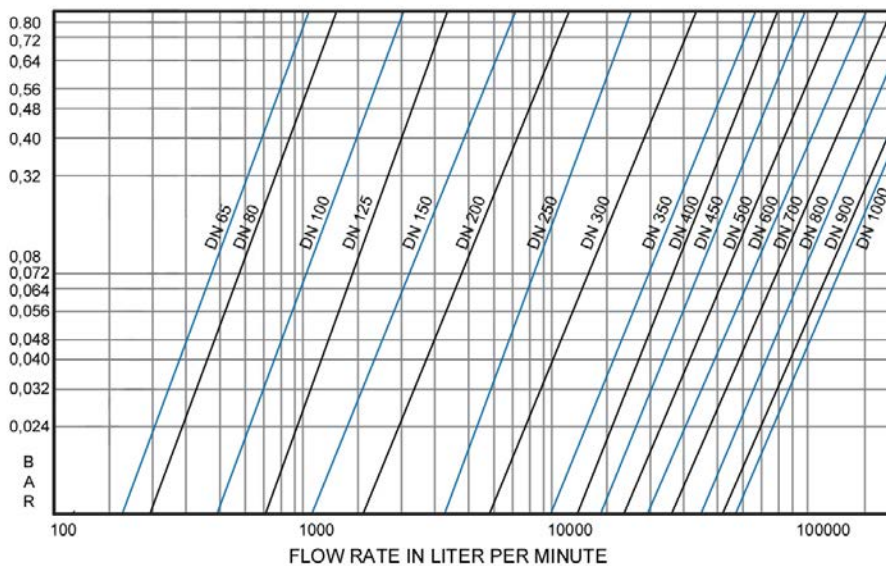
## TECHNICAL PASSPORT

**F4256**

### WORKING CONDITIONS

Maximum working pressure : 25 bar  
Maximum working temperature : -10°C / 80°C

### PRESSURE LOSS DIAGRAM



The photographs and technical art works are not contractual. The specifications of the presented products are open to modifications without previous advice

**Tecofi France**

83 rue Marcel Mérieux - 69960 Corbas  
Tél. +33 (0)4 72 79 05 79 - Fax. +33 (0)4 78 90 19 19  
E-mail : sales@tecofi.fr - [www.tecofi.fr](http://www.tecofi.fr)

