

FLANGED TYPE «Y» STRAINER

TECHNICAL PASSPORT

FLANGED PN16 «Y» STRAINER

F 3240N

APPLICATION

Protection of installations and equipment present on them against impurities and large solid particles.

Area of use: heating network, water network.

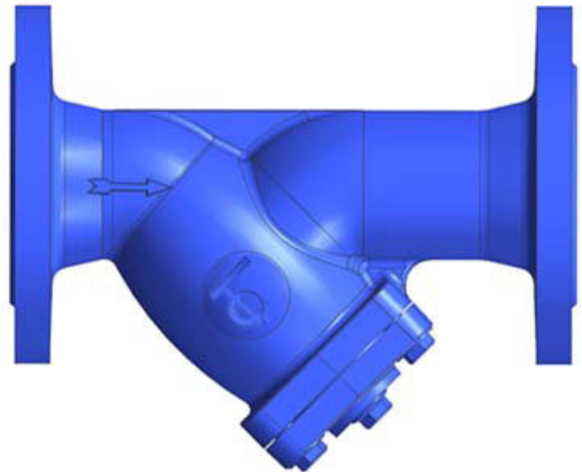


Fluids: steam and other compatible fluids.

GENERAL CHARACTERISTICS

Range: from DN15 to DN 400.

- Cast iron body and bonnet (DN15-100) and ductile iron (DN125-400).
- Screen easily removable by loosening the screws on the bonnet.
- Purge plug on the bonnet allowing the evacuation of impurities without disassembly of the strainer.
- Horizontal or vertical descending.
- Direction of installation is indicated by an arrow on the body.
- Epoxy coated body RAL 5019, thickness 80-110 µ.



STANDARDS

Face to face	Face to face dimension according to EN 558-1 serie 1 and DIN 3202/1 serie F1.
Connection	Flanges according to EN 1092-2 PN16.
Tests	Hydraulic tests according to EN12266-1, DIN 3230, BS 5154 and ISO 5208. - Body : 24 (bar)

PRODUCT APPROVALS



Tecofi France

83 rue Marcel Mérieux - 69960 Corbas
Tél. +33 (0)4 72 79 05 79 - Fax. +33 (0)4 78 90 19 19
E-mail : sales@tecofi.fr - www.tecofi.fr

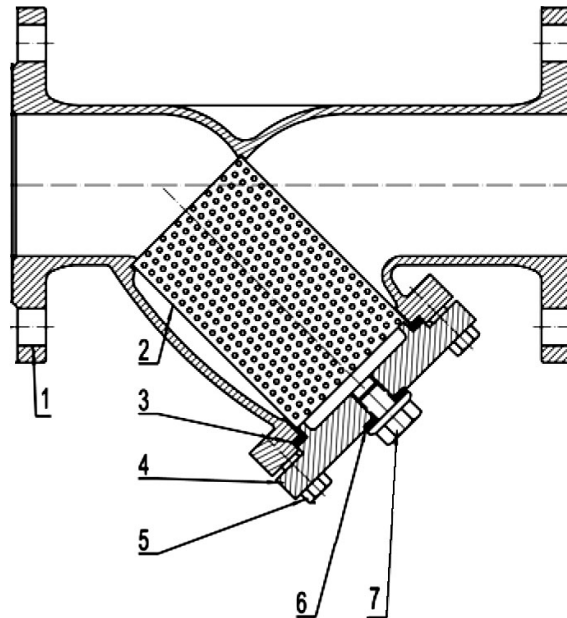


FLANGED TYPE «Y» STRAINER

TECHNICAL PASSPORT

F 3240N

CONSTRUCTION



Pos.	Q-ty	Description	Material	Equivalences		
				DIN	ASTM	BS
1	1	Body	Cast iron EN-GJL-250	GG25	A48 class 40B	1452 Grade 250
			Ductile iron EN-GJS-400	GGG40	A536 65-45-12	1563 EN-JS1030
2	1	Screen	Stainless steel 304	X5CrNi18 10	A 182 AISI 304	1449-2 304 S15
3	1	Joint	Graphite			
4	1	Bonnet	Cast iron EN-GJL-250	GG25	A48 class 40B	1452 Grade 250
			Ductile iron EN-GJS-400	GGG40	A536 65-45-12	1563 EN-JS1030
5	**	Screw	Steel A 105			
6	1	Joint	Graphite			
7	1	Plug	Steel A 105			

** 4 for DN15-100 and 6 for DN125-400

The photographs and technical art works are not contractual. The specifications of the presented products are open to modifications without previous advice

Tecofi France

83 rue Marcel Mérieux - 69960 Corbas
Tél. +33 (0)4 72 79 05 79 - Fax. +33 (0)4 78 90 19 19
E-mail : sales@tecofi.fr - www.tecofi.fr

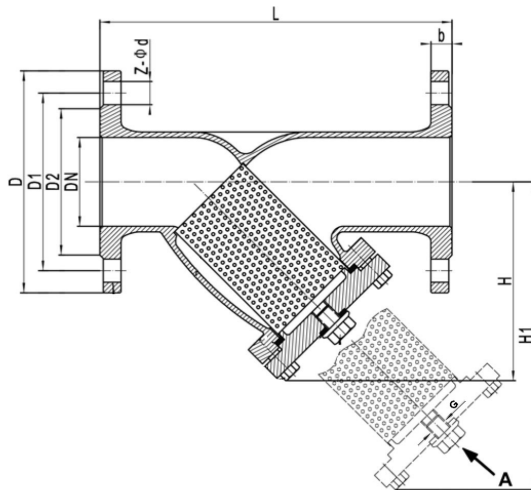


FLANGED TYPE «Y» STRAINER

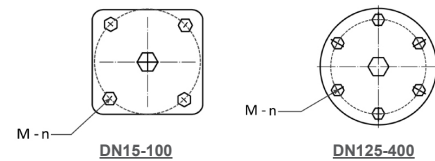
TECHNICAL PASSPORT

F 3240N

DIMENSIONS



VIEW A



DN		L	ØD	ØD1	ØD2	b	M	n	z	G	Ød	H	H1	Mesh (mm)	Weight (kg)
mm	inch														
15	1/2"	130	95	65	45	14	M8-20	4	4	3/8"	14	74	110	1	2.3
20	3/4"	150	105	75	58	16	M8-20	4	4	3/8"	14	90	130	1	2.9
25	1"	160	115	85	68	16	M8-25	4	4	1/2"	14	95	160	1	3.5
32	1 1/4"	180	140	100	78	18	M8-25	4	4	1/2"	18	119	171	1	5.2
40	1 1/2"	200	150	110	88	18	M10-30	4	4	1/2"	18	130	195	1	6
50	2"	230	165	125	102	18	M10-35	4	4	1/2"	18	145	218	1	8.18
65	2 1/2"	290	185	145	122	18	M10-35	4	4	1/2"	18	160	248	1.3	11.88
80	3"	310	200	160	138	22	M12-40	4	8	1/2"	18	185	283	1.3	15.1
100	4"	350	220	180	158	22	M12-45	4	8	1/2"	18	225	351	1.3	19.4
125	5"	400	250	210	188	26	M16-45	6	8	3/4"	18	268	418	1.3	29.1
150	6"	480	285	240	212	26	M16-50	6	8	3/4"	23	295	468	1.3	40.8
200	8"	600	340	295	268	30	M16-50	8	12	3/4"	23	316	529	1.6	70.2
250	10"	730	405	355	320	32	M16-50	8	12	3/4"	23	420	662	1.6	122.14
300	12"	850	460	410	378	32	M16-60	10	12	3/4"	27	455	735	1.6	188.1
350	14"	980	520	470	438	27	M16-60	12	16	3/4"	27	565	915	1.6	250
400	16"	1100	580	525	490	32	M8-20	14	16	3/4"	30	635	1041	1.6	360

The photographs and technical art works are not contractual. The specifications of the presented products are open to modifications without previous advice

Tecofi France

83 rue Marcel Mérieux - 69960 Corbas

Tél. +33 (0)4 72 79 05 79 - Fax. +33 (0)4 78 90 19 19

E-mail : sales@tecofi.fr - www.tecofi.fr

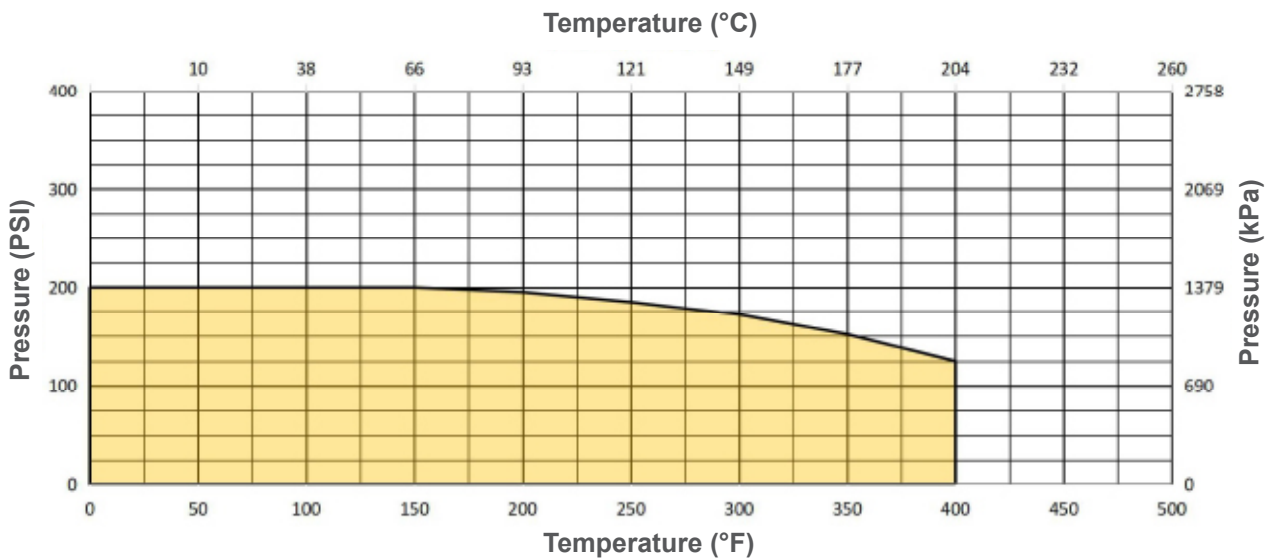


FLANGED TYPE «Y» STRAINER

TECHNICAL PASSPORT

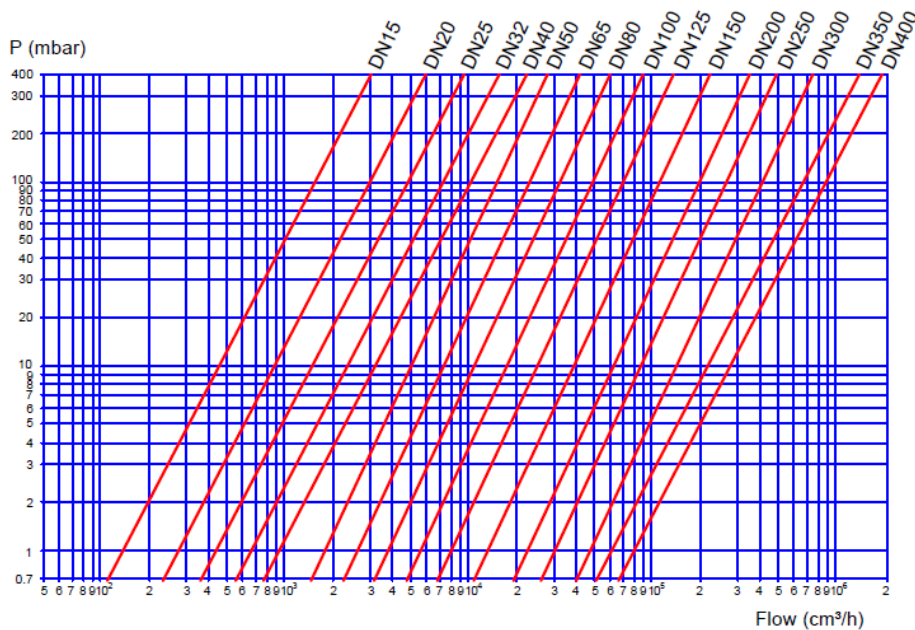
F 3240N

WORKING CONDITIONS



1 bar - 100 kPa

HEAD LOSS CHART



The photographs and technical art works are not contractual. The specifications of the presented products are open to modifications without previous advice

Tecofi France

83 rue Marcel Mérieux - 69960 Corbas
Tél. +33 (0)4 72 79 05 79 - Fax. +33 (0)4 78 90 19 19
E-mail : sales@tecofi.fr - www.tecofi.fr

