

Ref. : F 2142.pas

Rev. : F

Date :26/01/2015

Page : 1/1

BSP THREADED "Y" STRAINER WITH DRAINING VALVE

F 2142



Tecofi
VALVE DESIGNER - FRANCE

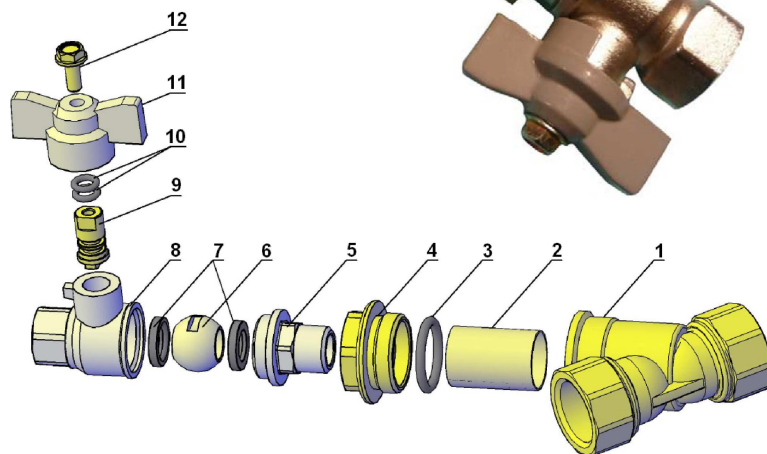
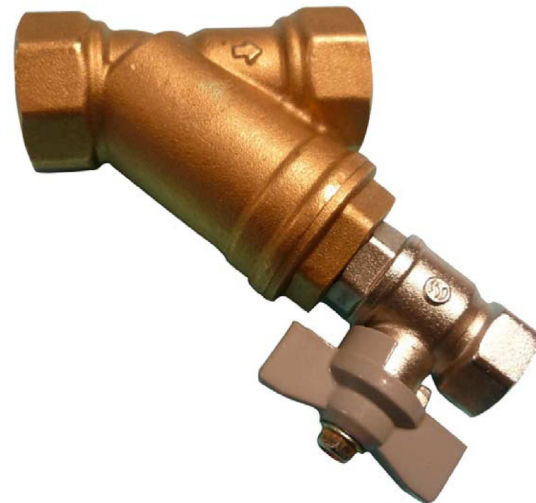
APPLICATION

General use : Water distribution and watering.

GENERAL CHARACTERISTICS

Stainless steel removable filter
Female / female threaded BSP
With draining valve
Horizontal or vertical position
(respect the flow direction indicated by the arrow)
Mesh 8,5/10° mm (850 μ)

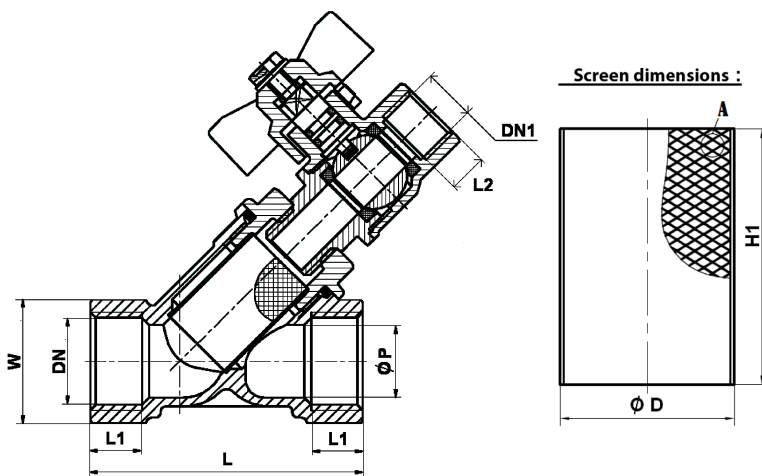
CONSTRUCTION



12		Handle screw	Steel
11		Handle	Aluminium
10		O ring	EPDM
9		Stem	Brass CW 617 N according to EN 12165
8		Draining valve body	Brass CW 617 N suivant EN 12165
7		Seat	PTFE
6		Ball	Brass CW 617 N according to EN 12165 chromed
5	1	Bonnet	Brass CW 617 N according to EN 12165
4	1	Bonnet	Brass CW 617 N according to EN 12165
3	1	O ring	EPDM
2	1	Screen	Stainless steel 304
1	1	Body	Brass CW 617 N according to EN 12165
Pos.	Q-ty	Description	Material

DIMENSIONS

DN		L	L1	L2	DN1	W	D	H1	ØP	Weight (kg)
mm	inch									
15	1/2"	58	11	9	1/4"	25	19	25	16	0,24
20	3/4"	68	12	9	3/8"	31	24	40	20	0,32
25	1"	75	14	9	3/8"	38	28	41	26	0,44
32	1"1/4	90	16,5	9	3/8"	47	34	46	32	0,545
40	1"1/2	108	18	9	3/8"	54	43	54	42	0,895
50	2"	130	20	9	3/8"	67	53	63	52	1,4



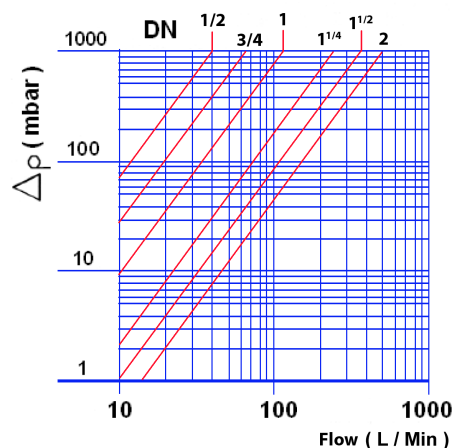
WORKING CONDITIONS

Maximum working pressure : 16 bar.
Maximum working temperature : 0°C / + 120°C.

STANDARDS

Fabrication according to ISO 9001 :2008
DIRECTIVE 97/23/CE : Products excluded from directive (Article 1, § 3.2)
ACS water agreement **A.C.S. N° 18 ACC NY 396**
Threaded female BSP cylindric

HEAD LOSS GRAPH



TECOFI France - 83, Rue Marcel Mérioux 69960 Corbas - FRANCE
Tél. +33 (0) 4 72 79 05 79 - Fax +33 (0) 4 78 90 19 19 / +33 (0) 4 72 79 05 70
Adresses e-mail : sales@tecofi.fr ; tecofi@tecofi.fr / Site web : www.tecofi.fr