

Ref. : EV 1141.pas

Rev. : B

Date : 29/01/07

Page : 1/1

# SOLENOID VALVE NO WITH ASSISTED DIAPHRAGM

## EV 1141



**Tecofi'**  
FAREX FLUID SOLUTION DESIGNER

### APPLICATION

Solenoid valve, Normally opened.  
Clear water, hot water, steam (with EPDM gasket)

### GENERAL CHARACTERISTICS

Mini differential pressure :

DN ≤ 2" : 0,1 bar

DN > 2" : 0,2 bar

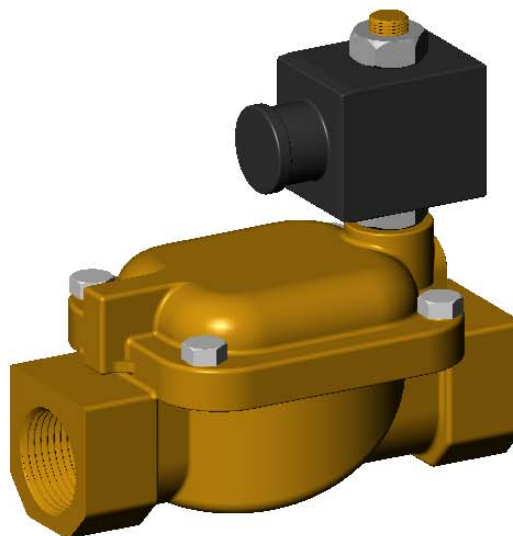
Voltage :

Alternative current (12-24-48-110-230-400 V).

Direct current (12-24-48-110 V).

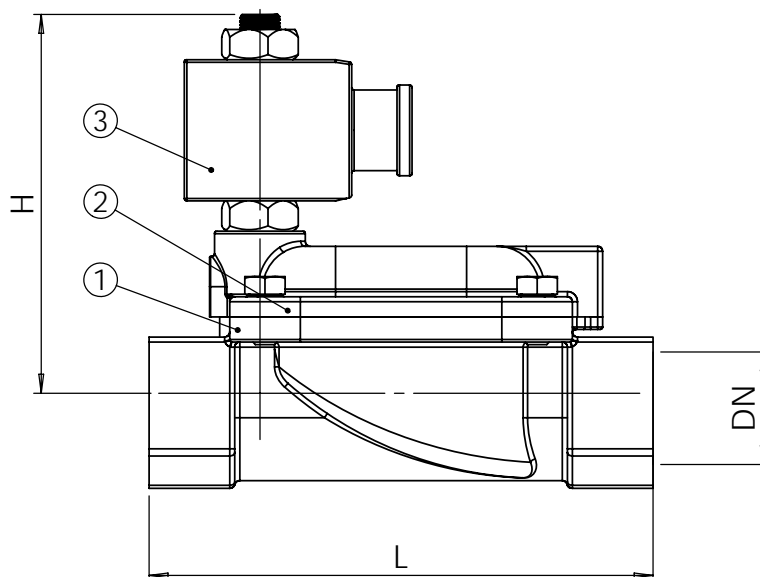
### CONSTRUCTION

5		Internal parts	Stainless steel	
4	1	Diaphragm	NBR	EPDM on request
3	1	Solenoid		
2	1	Bonnet	Brass CuZn40Pb2	DIN: CuZn40Pb2 ASTM: B124 C37700 BS: 12164 CZ122
1	1	Body	Brass CuZn40Pb2	DIN: CuZn40Pb2 ASTM: B124 C37700 BS: 12164 CZ122
Pos.	Qty.	Description	Material	



### DIMENSIONS

DN		L	H
mm	inch		
12	3/8"	69	99,5
15	1/2"	72	101,5
20	3/4"	100	107,0
25	1"	104	112,5
32	1" 1/4	145	134,0
40	1" 1/2	145	134,0
50	2"	173	148,0
65	2" 1/2	245	195,0
80	3"	250	195,0



Mounting on horizontal pipe

### WORKING CONDITIONS

Maximum working pressure :

DN ≤ 1" : 20 bar

DN > 1" : 10 bar

Maxi temperature :

+ 90 °C (NBR)

+ 140 °C (EPDM)

### STANDARDS

BSP threaded according to standard ISO 228-1.

**TECOFI France** - 83, Rue Marcel Mérieux 69960 Corbas - FRANCE  
Tél. +33 (0) 4 72 79 05 79 - Fax +33 (0) 4 78 90 19 19 / +33 (0) 4 72 79 05 70  
Adresses e-mail : sales@tecofi.fr ; tecofi@tecofi.fr / Site web : [www.tecofi.fr](http://www.tecofi.fr)