

DIRECT ACTING PRESSURE REDUCTING VALVE

TECHNICAL PASSPORT

DIRECT ACTING PRESSURE REDUCTING VALVE DUCTILE IRON BODY - FLANGED PN16

DP3240

APPLICATION

The direct acting pressure reducing valve reduces a higher inlet pressure to a lower downstream pressure, regardless of upstream pressure and flow variations.

Area of use : water distribution network, irrigation system.



Fluids: water, waste water, compatible non-compressible liquids.

GENERAL CHARACTERISTICS

Range: from DN40/50 to DN150.

- Compact and robust body
- Mécanisme complètement removable from the top of the device
- Minimum maintenance.
- Installation in all positions possible (optimum position obtained with horizontal drain and cover positioned at the top).
- Food grade epoxy coating thickness 250 microns
- Stainless steel screws



STANDARDS

Connection	Flange connection PN10/16 according to EN1092-2
Test	2014/68/UE directive
Tightness	ANSI/FCI 70-2 Class III

Tecofi France

83 rue Marcel Mérieux - 69960 Corbas
Tél. +33 (0)4 72 79 05 79 - Fax. +33 (0)4 78 90 19 19
E-mail : sales@tecofi.fr - www.tecofi.fr

ISO 9001
ISO 14001
BUREAU VERITAS
Certification

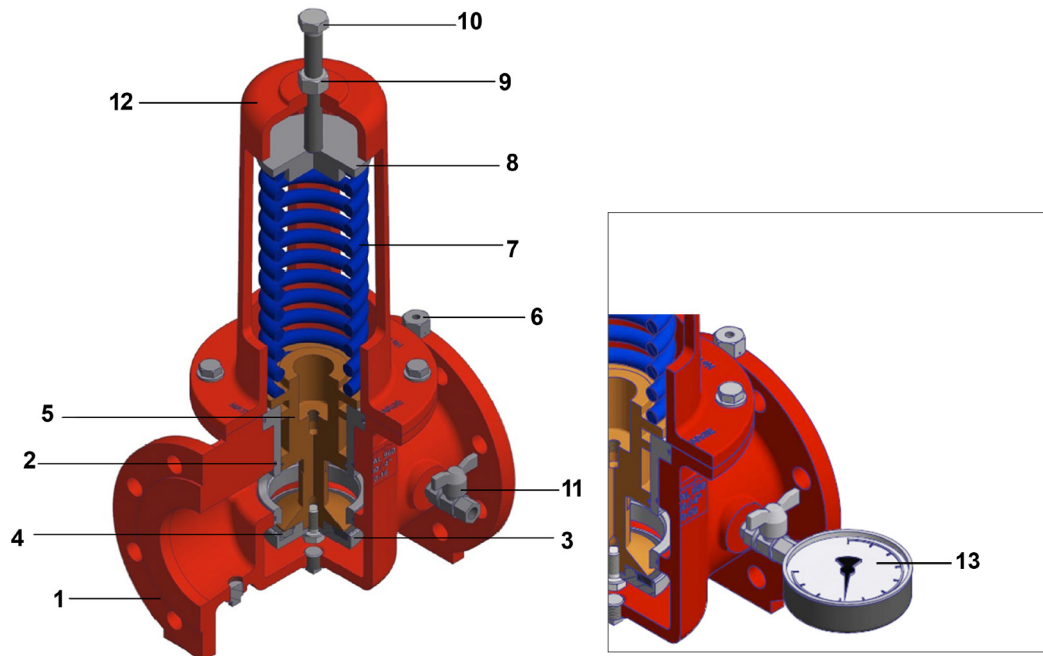


DIRECT ACTING PRESSURE REDUCTING VALVE

TECHNICAL PASSPORT

DP3240

CONSTRUCTION



Pos.	Quantity	Description	Material
1	1	Body	Ductile iron GGG40
2	1	Seat	Stainless steel 316
3	1	Disc retainer	Stainless steel 303/304
4	1	Gasket	EPDM
5	1	Piston	Bronze
6	1	Air release plug	Stainless steel 303/304
7	1	Spring	Steel
8	1	Spring guide	Stainless steel 303/304
9	1	Blocking nut	Stainless steel 303/304
10	1	Adjusting tangent	Stainless steel 303/304
11	2	Ball valve	Brass
12	1	Cover	Ductile iron GGG40
13	2	Pressure gauge	

The photographs and technical art works are not contractual. The specifications of the presented products are open to modifications without previous advice

Tecofi France

83 rue Marcel Mérieux - 69960 Corbas
Tél. +33 (0)4 72 79 05 79 - Fax. +33 (0)4 78 90 19 19
E-mail : sales@tecofi.fr - www.tecofi.fr

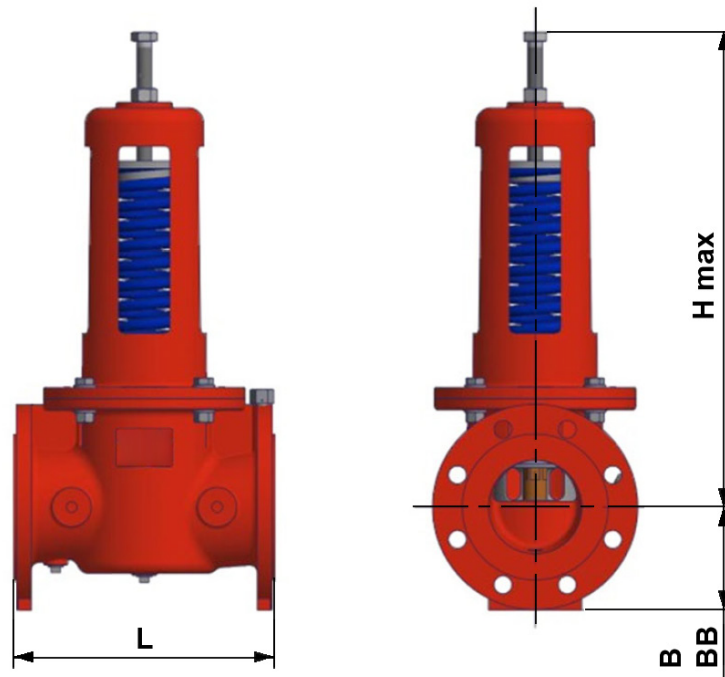


DIRECT ACTING PRESSURE REDUCTING VALVE

TECHNICAL PASSPORT

DP3240

DIMENSIONS



DN		L	Hmax	B	BB	Weight (kg)
mm	inch					
40/50	1"1/2 / 2"	230	325	83	-	13
60/65	2"1/4 / 2"1/2	240	400	13	-	18
80	3"	260	460	20	-	27
100	4"	280	575	110	117.5	45
125	5"	320	815	125	135	90
150	6"	350	815	143	150	100

WORKING CONDITIONS

Maximum working pressure : 16 bar
Maximum working temperature : +1°C / 60°C

Tecofi France

83 rue Marcel Mérieux - 69960 Corbas
Tél. +33 (0)4 72 79 05 79 - Fax. +33 (0)4 78 90 19 19
E-mail : sales@tecofi.fr - www.tecofi.fr

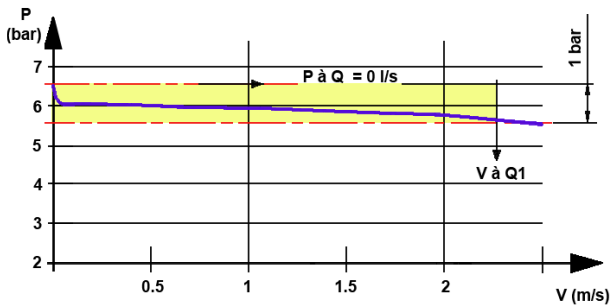


DIRECT ACTING PRESSURE REDUCTING VALVE

TECHNICAL PASSPORT

DP3240

PERFORMANCE

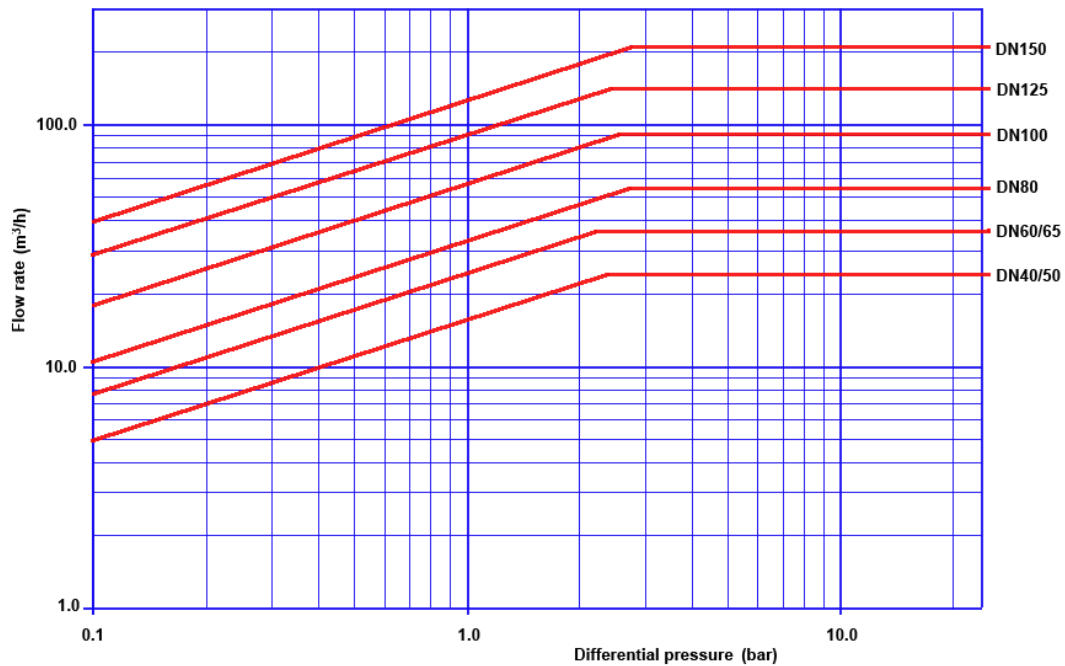


Upstream pressure : 40 bar maxi
Downstream pressure : 2 à 14 bar (only 1 spring)

Q1 : Flow based on 1 bar pressure drop across the valve
Q2 : Recommended flow based on 2 m/s velocity
Q3 : Intermittent flow based on 4 m/s velocity

DN		Q1 (l/s)	Q2 (l/s)	Q3 (l/s)
mm	inch			
40/50	1"1/2 / 2"	4.0	3.9	8
60/65	2"1/4 / 2"1/2	7.0	6.6	13
80	3"	11.0	10.0	20
100	4"	17.0	15.7	31
125	5"	26.0	24.5	48
150	6"	38.0	35.3	70

VALVE CAPACITY



Tecofi France

83 rue Marcel Mérieux - 69960 Corbas
Tél. +33 (0)4 72 79 05 79 - Fax. +33 (0)4 78 90 19 19
E-mail : sales@tecofi.fr - www.tecofi.fr

ISO 9001
ISO 14001
BUREAU VERITAS
Certification

