

Ref. : DI 7251.pas

Rev. : D

Date : 12/03/2013

Page : 1/1

RUBBER EXPANSION JOINT WITH SWIVEL FLANGES

DI 7251



Tecofi
VALVE DESIGNER - FRANCE

APPLICATION

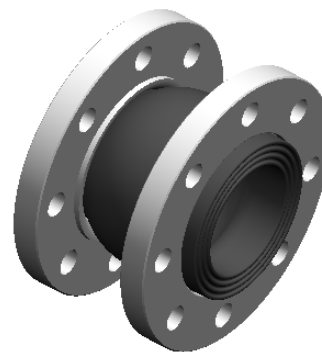
General use : connecting pipes

GENERAL CHARACTERISTICS

- From DN 32 to DN 300
- Angular movement in accordance with DN
- Swivel Flanges
- Galvanized carbon steel flanges PN 25

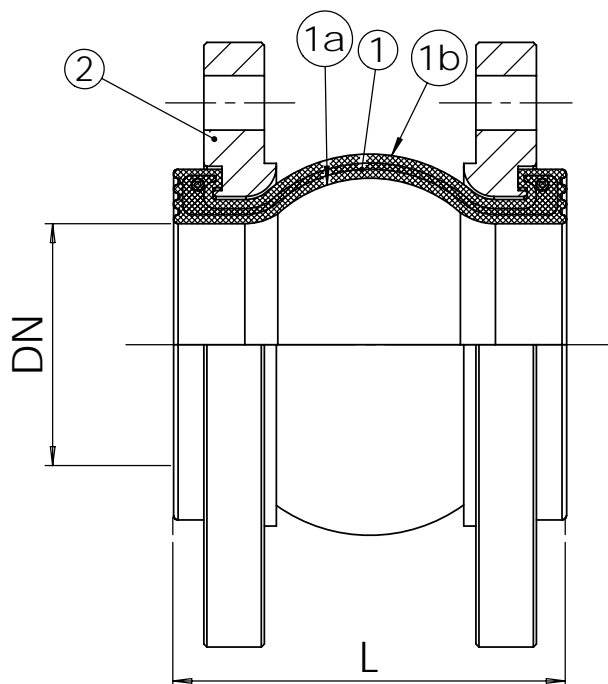
CONSTRUCTION

2	2	Flange	Galvanized steel
1b	1	Cover	EPDM
1a	1	Tube	EPDM - Nitril
1	1	Bellow	Rubber
Pos.	Qty.	Description	Material



DIMENSIONS

DN		L	Lc	Le	Li	A°	Weight (kg)
mm	inch						
32	1" 1/4	95	4	2	4	5°	13
40	1" 1/2	95	4	2	4	5°	13.5
50	2"	105	4	3	4	5°	15.5
65	2" 1/2	115	4	3	4	5°	17
80	3"	130	6	5	5	5°	19
100	4"	135	9	5	6	5°	22
125	5"	170	9	5	6	5°	28
150	6"	130	9	7	6	5°	30.5
200	8"	205	12	7	10	3°	47
250	10"	240	12	7	10	3°	68
300	12"	260	12	8	10	1°	91

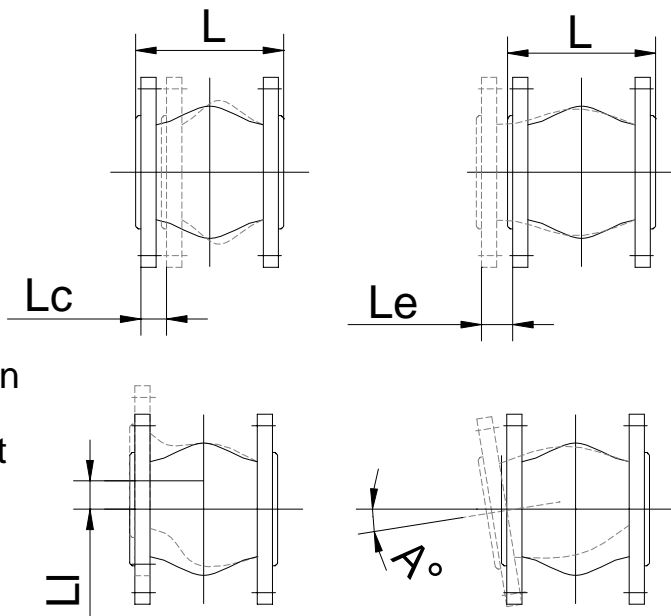


WORKING CONDITIONS

Maximum working Pressure: 25 bar
Maximum working temperature: 100°C

AGREEMENT AND STANDARDS

Flanges drilled according to DIN 2501 and EN 1092-1 : ISO PN25



Lc : axial compression
Le : axial extension
Li : lateral movement