

Ref. : DI 7242L130

Rev. : Initial

Date : 23/10/2013

Page : 1/1

RUBBER EXPANSION JOINT WITH SWIVEL FLANGES

DI 7242L130



Tecofi
VALVE DESIGNER - FRANCE

APPLICATION

General use : water distribution.

GENERAL CHARACTERISTICS

From DN32 to DN300.
Absorb vibration, noises and expansion :
Linear and angular compansion.
Single sphere EPDM.

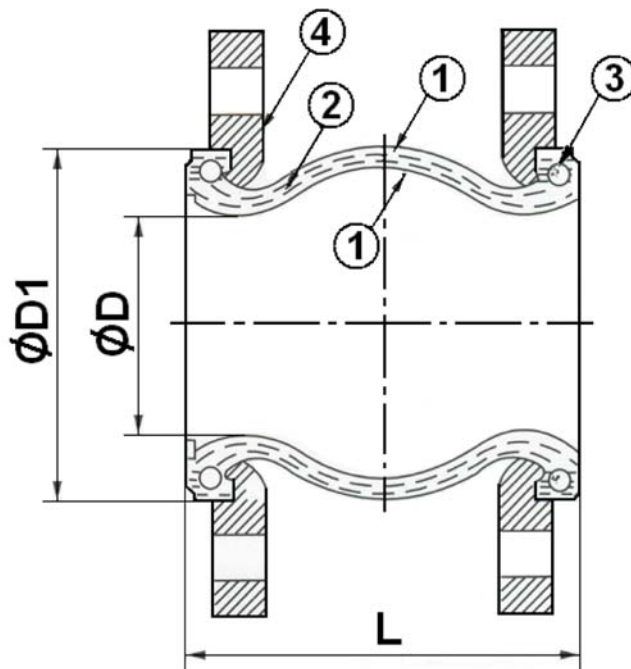
CONSTRUCTION

4	Flange	Galvanised steel
3	Brace	Hard steel
2	Reinforcement	Nylon cord
1	Bellow	EPDM
Pos.	Description	Material



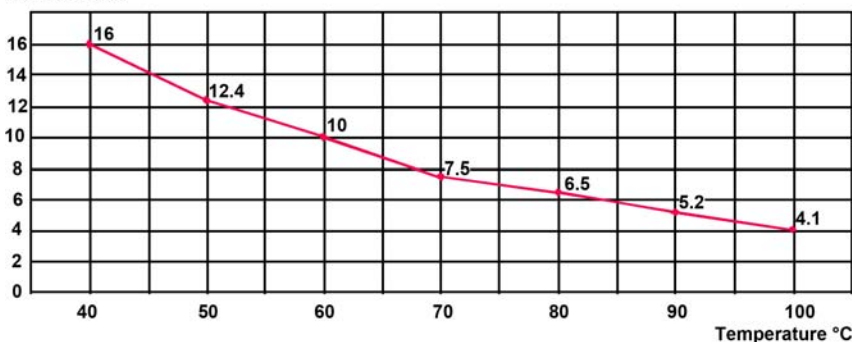
DIMENSIONS

DN		L	ØD	ØD1	Lc	Le	Li	A°	Weight (kg)
mm	inch								
32	1"1/4	130	40	69	12	10	12	15°	2,74
40	1"1/2	130	40	69	12	10	12	15°	2,98
50	2"	130	52	85	12	10	12	15°	4,24
65	2"1/2	130	68	106	12	10	12	15°	4,98
80	3"	130	76	116	12	10	12	15°	5,72
100	4"	130	103	150	12	10	12	15°	6,94
125	5"	130	128	180	12	10	12	15°	9,18
150	6"	130	152	209	12	10	12	15°	10,96
200	8"	130	194	260	12	10	12	15°	15,30
250	10"	130	250	320	12	10	12	15°	20,24
300	12"	130	300	367	12	10	12	15°	23,46



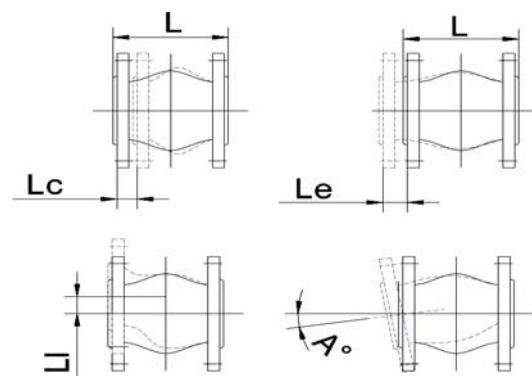
WORKING CONDITIONS

Pressure Bar



STANDARDS

Fabrication according to ISO 9001 : 2000.
Flanges according to EN 1092 PN10/16 up to DN150
and PN10 from DN200 to DN300.



Lc : Axial compression
Le : Axial elongation
Li : Lateral movement
A° : Angular movement

TECOFI France - 83, Rue Marcel Mérieux 69960 Corbas - FRANCE
Tél. +33 (0) 4 72 79 05 79 - Fax +33 (0) 4 78 90 19 19 / +33 (0) 4 72 79 05 70
Adresses e-mail : sales@tecofi.fr ; tecofi@tecofi.fr / Site web : www.tecofi.fr