

## METALLIC EXPANSION JOINT

### TECHNICAL PASSPORT

#### METALLIC EXPANSION JOINT WITH BUTT WELDING ENDS

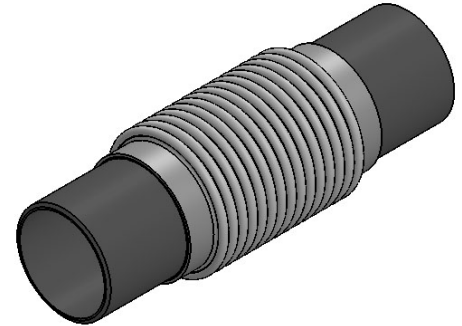
DI 6340

#### APPLICATION

- Reduction of mechanical and thermal stress and related systems : pumps, compressors, actuators.
- Absorption of lateral movements (30 mm and 60 mm).  
reduction of vibration and noise.



Fluid: fluids subjected to high temperatures and pressures such as: steam, thermal oil, hot water, chemicals etc.

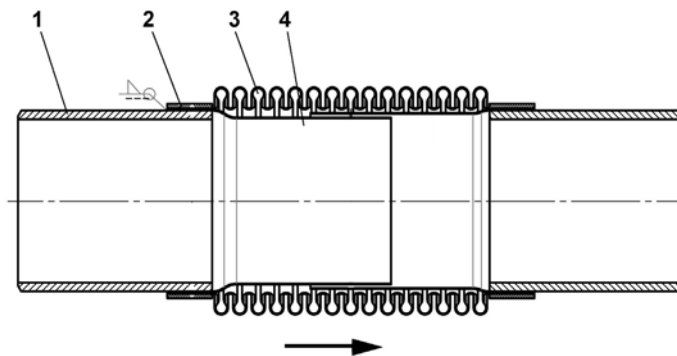


#### GENERAL CHARACTERISTICS

- Range : from DN 25 to DN300 (MVT 30mm : -20/+10 mm axial)  
from DN 50 to DN 300 (MVT 60mm : -40/+20 mm axial)
- Expansion joint with rotating flanges PN25. Flexible metal bellow.

Déplacements latéraux maxi : -1 / +1 mm

#### CONSTRUCTION



Pos.	Q-ty	Description	Material	Equivalences		
				DIN	ASTM	BS
1	2	Welding end	Steel S235JR			
2	1	Band	Stainless steel 321	X6CrNi 18 10	A193 B8T	S32100
3	1	Bellow	Stainless steel 321	X6CrNi 18 10	A193 B8T	S32100
4	1	Internal sleeve	Stainless steel 304	X5CrNi 18 10	A 182 AISI 304	1449-2 304 S15

#### STANDARDS

Butt welding connection BW (Butt Welding) .

#### PRODUCT APPROVALS



#### Tecofi France

83 rue Marcel Mérieux - 69960 Corbas  
Tél. +33 (0)4 72 79 05 79 - Fax. +33 (0)4 78 90 19 19  
E-mail : sales@tecofi.fr - [www.tecofi.fr](http://www.tecofi.fr)

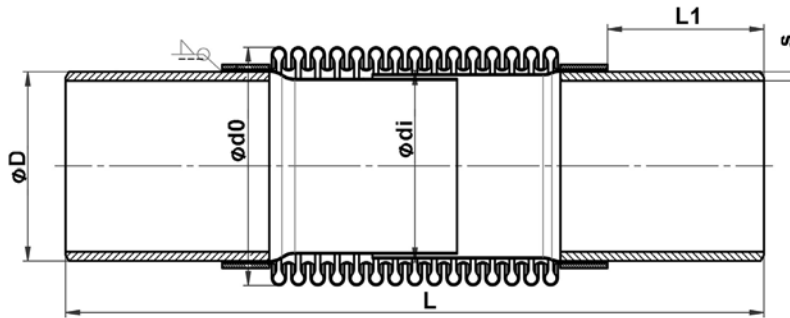


## METALLIC EXPANSION JOINT

### TECHNICAL PASSPORT

DI 6340

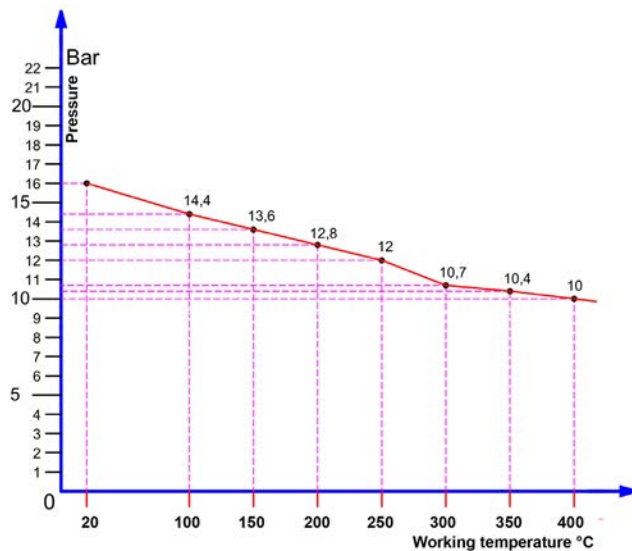
#### DIMENSIONS



**Axial movements :**  
 30 mm (-20 mm / +10 mm)  
 60 mm (-40 mm / +20 mm)

DN		ØD	s	Bellow				Effective area (cm <sup>2</sup> )	Spring rate (N/mm)		L		Weight (kg)	
mm	inch			Ødi	Ød0	Wall thickness	Number of waves		30 mm	60 mm	30 mm	60 mm	30 mm	60 mm
25	1"	38	2.6	38	48	0.30	20	14.5	82.1	-	210	-	0,5	-
32	1"1/4	42.4	2.6	42	55	0.30	20	18.5	49.7	-	215	-	0,55	-
40	1"1/2	48.3	2.6	48	60	0.40	20	23	127.2	-	220	-	0,6	-
50	2"	60.3	2.9	60	76	0.40	15	36	111.4	59.7	220	295	0,85	1,5
65	2"1/2	76.1	2.9	76	95	0.50	14	57	165.8	82.9	220	295	1,2	1,7
80	3"	88.9	3.2	89	111	0.50	10	78.5	178.9	89.4	220	290	1,5	2
100	4"	114.3	3.6	114	140	0.60	10	127	252.2	126.1	220	300	2,4	3
125	5"	139.7	4	139	164	0.60	10	180	320	160	230	310	3,2	5
150	6"	168.3	4.5	168	200	0.80	10	266	433.8	216.9	245	345	5	6
200	8"	219.1	6.3	219	250	0.80	8	432	694.2	347.1	240	345	10	11
250	10"	273	6.3	270	308	1	6	655	867.5	433.8	250	350	15	16
300	12"	323.9	7.1	323	365	1	6	929	992.2	505.2	260	360	21	22

#### WORKING CONDITIONS



Maximum working temperature : -80°C / +427°C  
 Maximum working pressure : 16 bar

**Tecofi France**

83 rue Marcel Mérioux - 69960 Corbas  
 Tél. +33 (0)4 72 79 05 79 - Fax. +33 (0)4 78 90 19 19  
 E-mail : sales@tecofi.fr - [www.tecofi.fr](http://www.tecofi.fr)

