

## METALLIC EXPANSION JOINT

### TECHNICAL PASSPORT

#### FLANGED PN25 METALLIC EXPANSION JOINT

DI 6250

#### APPLICATION

- Reduction of mechanical and thermal stress and related systems : pumps, compressors, actuators.
- Absorption of lateral movements (30 mm and 60 mm).
- reduction of vibration and noise.



**Fluid:** fluids subjected to high temperatures and pressures such as: steam, thermal oil, hot water, chemicals etc.



#### GENERAL CHARACTERISTICS

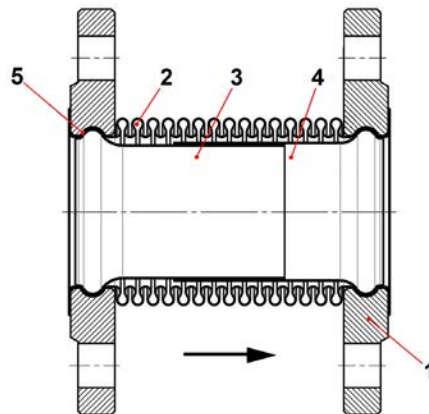
**Range :** from DN 25 to DN300 (MVT 30mm : -20/+10 mm axial)  
from DN 50 to DN 300 (MVT 60mm : -40/+20 mm axial)

Expansion joint with rotating flanges PN25

-Flexible metal bellow.

⚠ maximum lateral movements: -1 / +1 mm

#### CONSTRUCTION



Pos.	Q-ty	Description	Material	Equivalentces		
				DIN	ASTM	BS
1	2	Flange	Steel S235JR	St 37.2	A36	
2	1	Bellow	Stainless steel 321	X6CrNi 18 10	A193 B8T	S32100
3	1	Inner sleeve 1	Stainless steel 304	X5CrNi18 10	A 182 AISI 304	1449-2 304 S15
4	1	Inner sleeve	Stainless steel 304	X5CrNi 18 10	A 182 AISI 304	1449-2 304 S15
5	2	Collar	Stainless steel 304	X5CrNi18 10	A 182 AISI 304	1449-2 304 S15

#### STANDARDS

Flanged connection according to EN 1092-1 PN25.

#### PRODUCT APPROVALS



**Tecofi France**

83 rue Marcel Mérieux - 69960 Corbas  
Tél. +33 (0)4 72 79 05 79 - Fax. +33 (0)4 78 90 19 19  
E-mail : sales@tecofi.fr - [www.tecofi.fr](http://www.tecofi.fr)

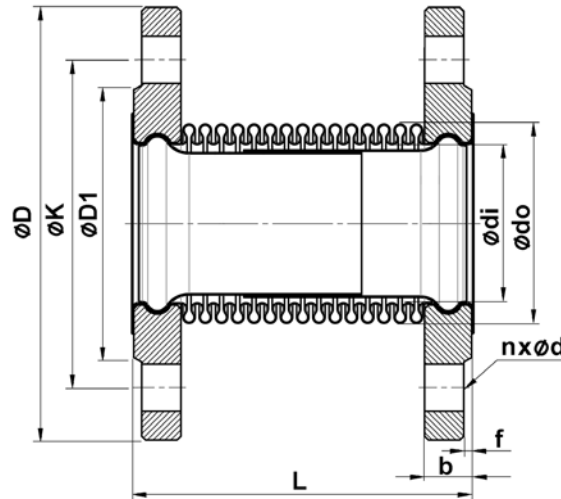


## METALLIC EXPANSION JOINT

### TECHNICAL PASSPORT

DI 6250

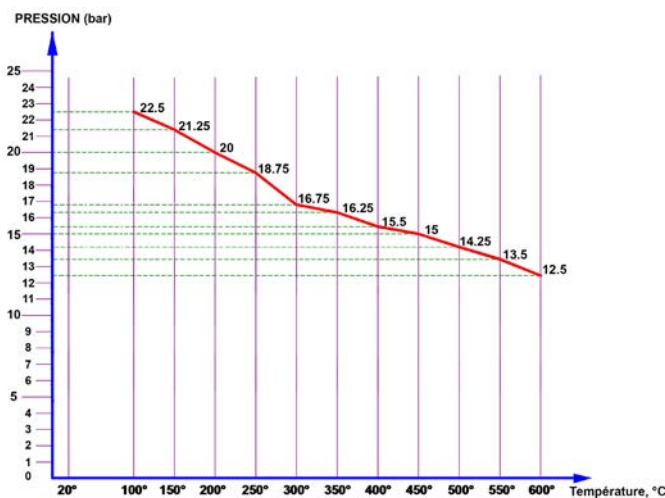
#### DIMENSIONS



**AXIAL MOVEMENTS :**  
 30 mm (-20 mm / +10 mm)  
 60 mm (-40 mm / +20 mm)

DN		ØD	ØK	ØD1	f	b	nxØd	Bellow				Section efficace (cm <sup>2</sup> )	Spring rate (N/mm)		L		Weight (kg)	
mm	inch							Ødi	Ød0	Wall thickness	Number of waves		30 mm	60 mm	30 mm	60 mm	30 mm	60 mm
25	1"	115	85	68	2	18	4xØ14	38	48	0.30x2	18	14.5	182.5	-	130	-	3.10	-
32	1 1/4"	140	100	78	2	18	4xØ18	42	55	0.30x2	18	18.5	110.4	-	135	-	4.14	-
40	1 1/2"	150	110	88	3	18	4xØ18	48	60	0.30x2	18	23	122.6	-	140	-	4.27	-
50	2"	165	125	102	3	20	4xØ18	60	76	0.40x2	14	36	242.9	121.4	130	220	5.68	5.68
65	2 1/2"	185	145	122	3	22	4xØ18	76	95	0.40x2	13	57	186.6	177.4	130	220	7.68	7.68
80	3"	200	160	138	3	24	8xØ18	89	111	0.40x2	9	78.5	233.5	220.9	130	220	8.48	9.70
100	4"	235	190	162	3	24	8xØ22	114	140	0.50x2	9	127	334.3	167.1	140	230	11.84	13.00
125	5"	270	220	188	3	26	8xØ26	139	164	0.50x2	9	180	433.3	216.7	150	240	14.70	16.80
150	6"	300	250	218	3	28	8xØ26	168	200	0.60x2	9	266	440.8	220.4	165	270	18.54	22.25
200	8"	360	310	278	3	30	12xØ26	219	250	0.60x2	7	432	699	349.5	170	270	28.08	31.88
250	10"	425	370	335	3	32	12xØ30	270	308	0.80x2	5	655	749.9	374.9	170	280	37.60	39.81
300	12"	485	430	395	4	34	16xØ30	323	365	0.80x2	5	929	631.4	315.4	180	290	58.80	51.46

#### WORKING CONDITIONS



Maximum working temperature : -80°C / +427°C  
 Maximum working pressure : 25 bar

**Tecofi France**

83 rue Marcel Mérieux - 69960 Corbas

Tél. +33 (0)4 72 79 05 79 - Fax. +33 (0)4 78 90 19 19

E-mail : sales@tecofi.fr - [www.tecofi.fr](http://www.tecofi.fr)

ISO 9001  
 ISO 14001  
 BUREAU VERITAS  
 Certification

