

Ref. : CS 5261S1.pas

Rev. : B

Date : 25/04/2024

Page : 1/1

FLANGED TYPE LIFT CHECK VALVE

CS 5261S1



APPLICATION

General use : hot and cold water plants, steam plants, industrial technologies, neutral fluids, heat and refrigerating engineering.

GENERAL CHARACTERISTICS

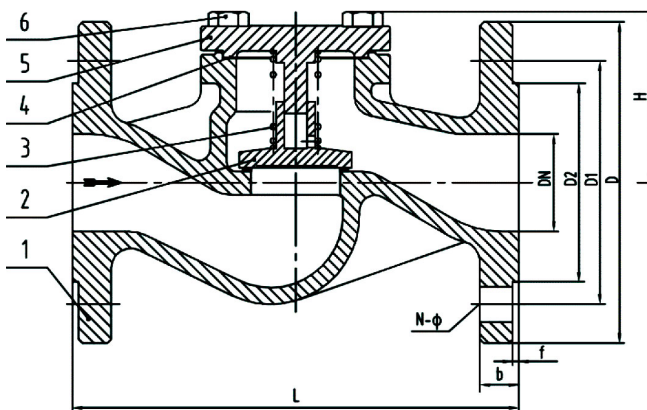
Range : from DN 15 to DN 150
Extremely reliable.
Wide range of applications.
Simple and sturdy construction.
Reliable and efficient functioning.
Mounting in all positions.

CONSTRUCTION

6	Bolts, Nuts	25CrMo4	1,1728
5	Bonnet	GP240GH+N	1,0619
4	Gasket	Graphite	
3	Spring	X5CrNi18-10	1,4301
2	Disc	A20Cr13	1,4021
1	Body	GP240GH+N	1,0619
Pos.	Description	Material	

DIMENSIONS

DN	D	D1	D2	L	H	n	d2	b	f	Kvs	Zeta	Poids (kg)	
15	1/2"	95	65	45	130	90	4	14	16	2	6	2,5	3
20	3/4"	105	75	58	150	75	4	14	18	2	8	4,2	4
25	1"	115	85	68	160	90	4	14	18	2	12	4,6	5
32	1*1/4	140	100	78	180	85	4	18	18	2	18	5,3	6
40	1*1/2	150	110	88	200	95	4	18	18	3	28	5,6	8
50	2"	165	125	102	230	105	4	18	20	3	48	4,5	12
65	2*1/2	185	145	122	290	105	8	18	22	3	78	4,7	18
80	3"	200	160	138	310	135	8	18	24	3	110	5,6	22
100	4"	235	190	162	350	180	8	22	24	3	170	5,8	38
125	5"	270	220	188	400	210	8	26	26	3	251	6,5	63
150	6"	300	250	218	480	220	8	26	26	3	390	5,5	88



WORKING CONDITIONS

Temperature from - 10°C to 400°C (see table below)

Temperature	20°C	100°C	150°C	200°C	250°C	300°C	350°C	400°C
Pressure, bar	40	37,1	35,2	33,8	30,4	27,6	25,7	23,8

STANDARDS

Face to face according to NF EN 558-1 serie 1, DIN 3202 F1.
Flange connection ISO PN40 EN 1092-1.