

LIFT CHECK VALVE

TECHNICAL PASSPORT

BSP FEMALE THREADED LIFT CHECK VALVE BRONZE BODY

CS 2142

APPLICATION

Non-return lift check valve.

Area of use: Heating, water distribution and watering



Fluids: clear water, uncharged liquids, non-corrosive products, etc

GENERAL CHARACTERISTICS

Range: from DN1/4" to DN2".

- Non-return lift check valve in bronze with union bonnet.
- Mounting direction is indicated on the body by an arrow.
- Stainless steel seat and disc
- Simple and sturdy construction.
- Stainless steel return spring.
- Mounting on horizontal position.



STANDARDS

Design	Fabrication according to ISO 9001: 2015 and ISO 14001 : 2015
Connection	Threaded BSP female cylindrical according to ISO 228/1
Tests	Pressure test according to standards EN12266-1, DIN 3230, BS 5154 and ISO 5208: Body : WP x 1.5 bar Seat : WP x 1.1 bar

PRODUCT APPROVALS

ERC

Tecofi France

83 rue Marcel Mérieux - 69960 Corbas
Tél. +33 (0)4 72 79 05 79 - Fax. +33 (0)4 78 90 19 19
E-mail : sales@tecofi.fr - www.tecofi.fr

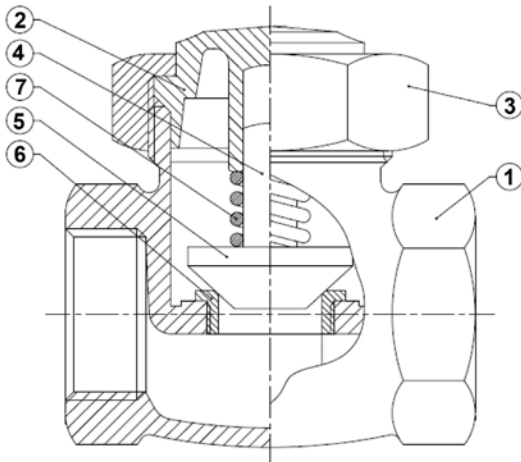


LIFT CHECK VALVE

TECHNICAL PASSPORT

CS 2142

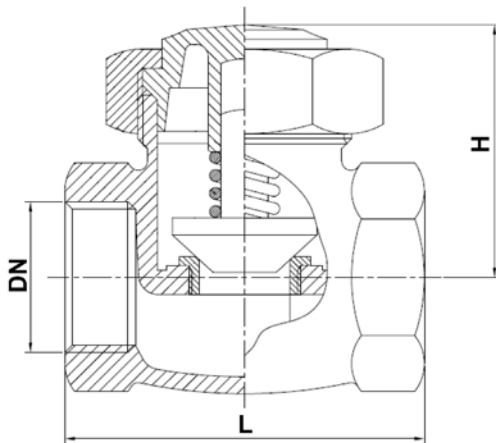
CONSTRUCTION



Pos.	Description	Material
1	Body	Bronze C83600 ASTM B62
2	Bonnet*	Brass CW 614N
3	Bonnet nut	Brass CW 617N suivant EN 12165
4	Stem	Brass CW 614N suivant EN 12164
5	Disc	Stainless steel AISI 316L
6	Seat	Stainless steel AISI 316L
7	Spring	Stainless steel AISI 303

* - Bonnet in Bronze C83600 ASTM B62 for DN2"

DIMENSIONS



DN		L	H	Weight (kg)
inch	mm			
1/4"	8	46	30	0.2
3/8"	10	46	30	0.2
1/2"	15	56	35	0.28
3/4"	20	62	45	0.5
1"	25	74	50	0.73
1"1/4	32	91	60	1.16
1"1/2	40	100	65	1.5
2"	50	128	70	2.51

The photographs and technical art works are not contractual. The specifications of the presented products are open to modifications without previous advice

Tecofi France

83 rue Marcel Mérieux - 69960 Corbas
 Tél. +33 (0)4 72 79 05 79 - Fax. +33 (0)4 78 90 19 19
 E-mail : sales@tecofi.fr - www.tecofi.fr

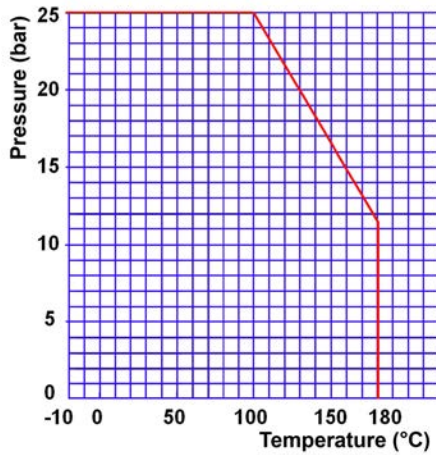


LIFT CHECK VALVE

TECHNICAL PASSPORT

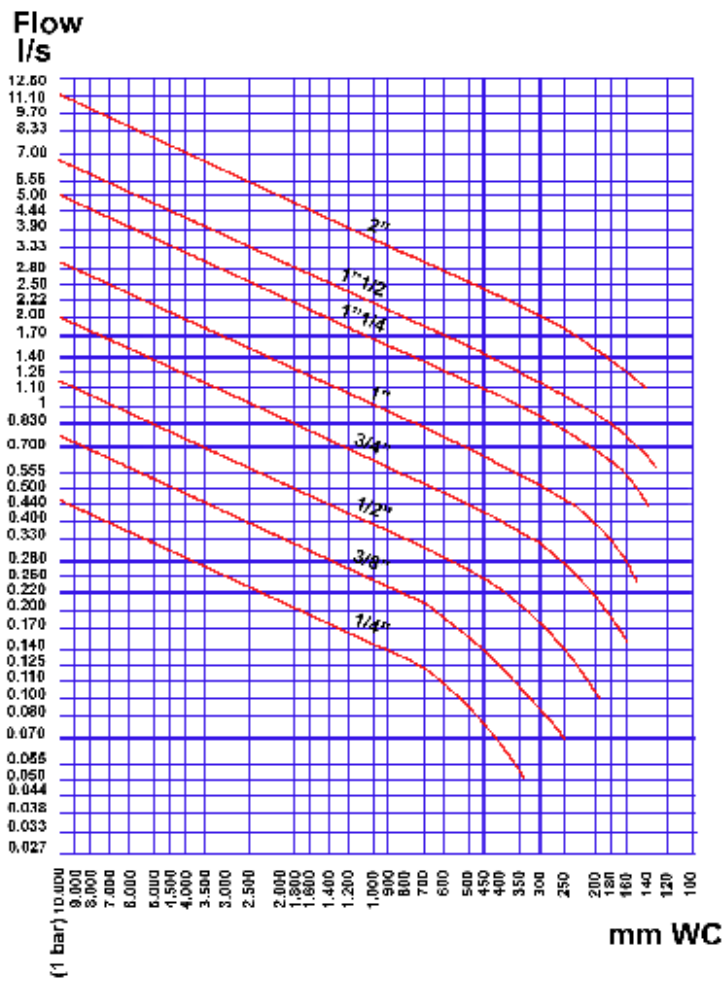
CS 2142

WORKING CONDITIONS

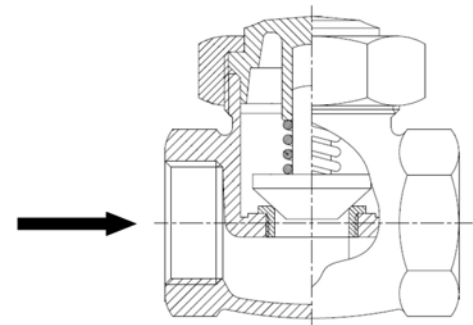


Maximum working pressure : 25 bar (see chart)
Maximum working temperature : -10°C / +180°C

HEAD LOSS CHART



MOUNTING POSITION



The photographs and technical art works are not contractual. The specifications of the presented products are open to modifications without previous advice

Tecofi France

83 rue Marcel Mérieux - 69960 Corbas

Tél. +33 (0)4 72 79 05 79 - Fax. +33 (0)4 78 90 19 19

E-mail : sales@tecofi.fr - www.tecofi.fr

