

Ref. : CR6249 pas

Rev. : Initial

Date : 08/09/2020

Page : 1/1

STRAINER FOR STAINLESS STEEL FLANGE

CR 6249



APPLICATION

General use: supply, distribution networks and clear and charged water drainage.

GENERAL CHARACTERISTICS

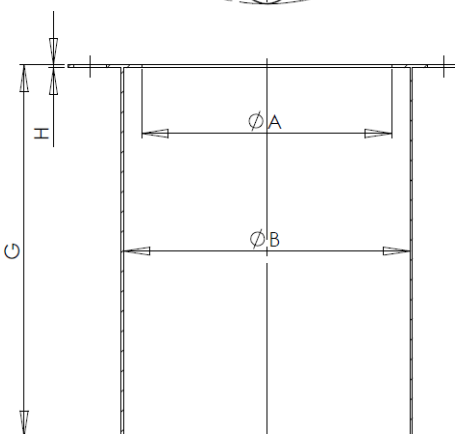
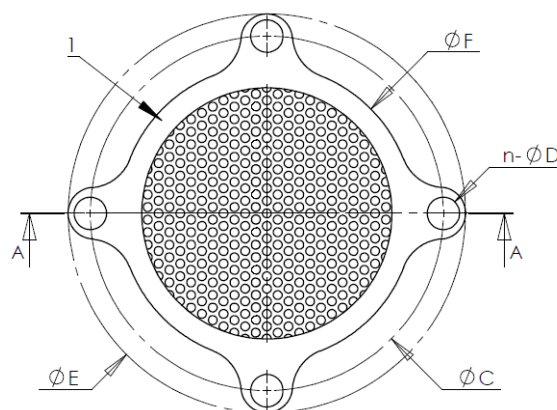
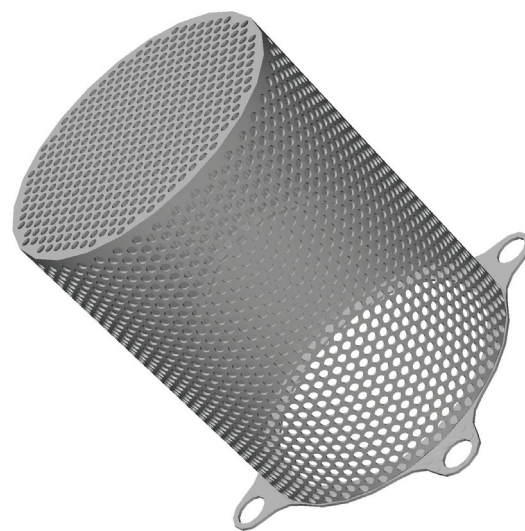
From DN50 to DN700.

CONSTRUCTION

1	Strainer	Stainless steel 316L
Pos.	Description	Material

DIMENSIONS

DN		A	B	C	n-ØD	E	F	G	H	Perforated sheet
mm	inch									
50	2"	65	70	125	4-18	150	105	130	2	R 6 T 8,5 Thickness : 1
65	2 ¼"	85	95	145		170	105	150		
80	2 ½"	90	110	160		185	120	160		
100	3"	110	130	180		205	140	200		
125	5"	135	160	210		235	170	250		
150	6"	170	195	240	4-22	270	200	250	2	R 6 T 8,5 Thickness : 1,5
200	8"	222	250	295	6-22	325	255	330		
250	10"	260	300	355	6-26	380	305	460		
300	12"	305	350	410	8-26	430	355	500	2	R 10 T 15 Thickness : 2
350	14"	365	400	470		8-29	490	415		
400	16"	410	440	525	10-29	545	465	500		
450	18"	475	500	585		10-32	600	515		
500	20"	530	540	650	10-35	655	570	500		
600	24"	630	640	770		760	670	500		



WORKING CONDITIONS

Maximum working temperature : -20°C / +200°C.

STANDARDS

Fixation on flanges PN10/16 from DN50 to DN150.
Fixation on flanges PN16 from DN200 to DN800.