

STRAINER FOR CHECK VALVE

TECHNICAL PASSPORT

STRAINER FOR FLANGED AXIAL CHECK VALVE STAINLESS STEEL BODY

CR 6240

APPLICATION

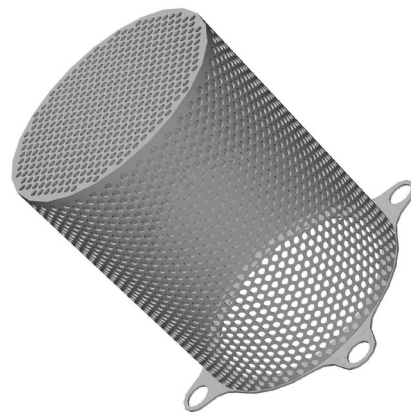
Area of use: Water distribution and watering.



Fluids: water and compatible fluids.

GENERAL CHARACTERISTICS

- Range : DN350 to DN600.
- Easy cleaning and disassembling.
- Flanged connection PN16 according to EN 1092.

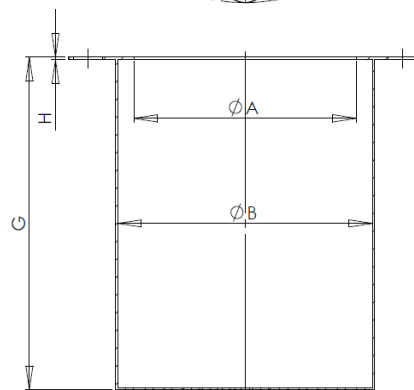
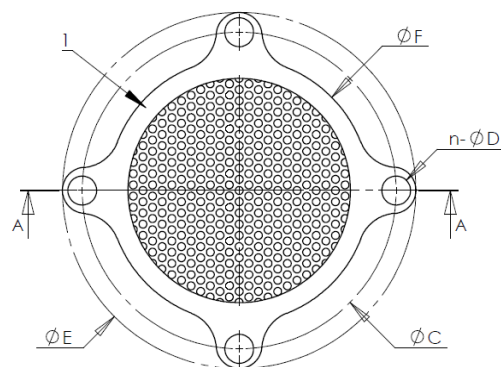


CONSTRUCTION

| Pos. | Description | Material |
|------|-------------|----------------------|
| 1 | Body | Stainless steel 304L |

DIMENSIONS

| DN | | A | B | C | n-ØD | E | F | G | H | Perforated sheets |
|-----|--------|-----|-----|-----|--------|-----|-----|-----|---|----------------------------|
| mm | inch | | | | | | | | | |
| 350 | 1/2" | 365 | 400 | 470 | 8-Ø22 | 500 | 415 | 500 | 2 | R 10 T 15 Thickness : 2 |
| 400 | 3/4" | 410 | 440 | 525 | 8-Ø22 | 555 | 465 | 500 | 2 | |
| 450 | 1" | 475 | 500 | 585 | 10-Ø26 | 620 | 515 | 500 | 2 | |
| 500 | 1 1/4" | 530 | 540 | 650 | 10-Ø26 | 685 | 570 | 500 | 2 | |
| 600 | 1 1/2" | 630 | 640 | 770 | 10-Ø30 | 805 | 670 | 500 | 2 | |



WORKING CONDITIONS

Maximum working pressure : 16 bar

Maximum working temperature: -20°C / +200°C.

Tecofi France

83 rue Marcel Mérieux - 69960 Corbas
Tél. +33 (0)4 72 79 05 79 - Fax. +33 (0)4 78 90 19 19
E-mail : sales@tecofi.fr - www.tecofi.fr

