

Ref. : CP4241.pas

Rev. : E

Date : 11/04/2014

Page : 1/1

# TILTING TYPE CHECK VALVE WITH COUNTER WEIGHT AND HYDRAULIC DAMPER PN16

## CP 4241



**Tecofi**  
VALVE DESIGNER - FRANCE

### APPLICATION

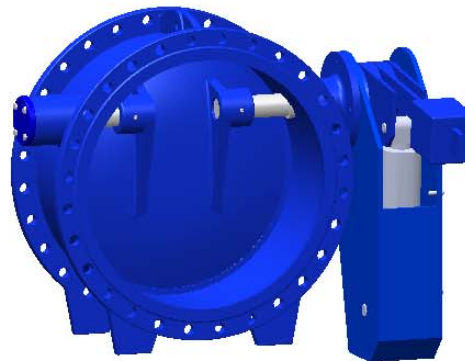
General uses: drinkable water, dirty fluids, industry.

### GENERAL CHARACTERISTICS

Range : from DN 150 to DN 1000.  
 Low head losses.  
 Maintenance free.  
 Complete sealing (double eccentric arrangement of disc).  
 Mounting horizontally or vertically.  
 Bearings self lubricated.  
 With or without counterweight.

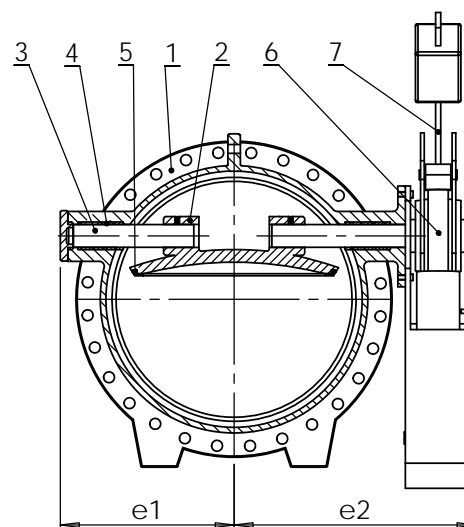
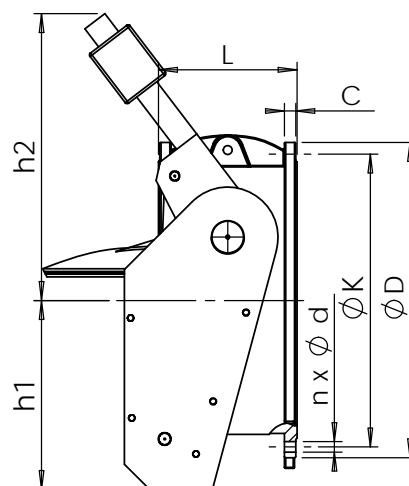
### CONSTRUCTION

7	1	Lever	S235JR
6	1	Hydraulic damper	
5	1	Gasket	EPDM
4	2	Bushing	Bronze
3	2	Shaft	Stainless steel X20 Cr13
2	1	Disc	Ductile iron GGG50
1	1	Body	Ductile iron GGG50
Pos.	Qty.	Description	Material



### DIMENSIONS

DN	ØD	ØK	n x Ød	C	L	e1	e2	h1	h2	Weight (kg)
150	285	240	8 x Ø23	19	210	143	265	276	316	45
200	340	295	12 x Ø23	20	230	208	357	297	364	85
250	405	355	12 x Ø28	22	250	239	373	288	373	110
300	460	410	12 x Ø28	25	270	259	414	294	367	140
350	520	470	16 x Ø28	27	290	289	468	325	435	195
400	580	525	16 x Ø31	28	310	320	510	339	421	255
450	640	585	20 x Ø31	30	330	355	550	335	425	275
500	715	650	20 x Ø34	32	350	380	595	476	492	335
600	840	770	20 x Ø37	36	390	430	631	515	610	495
700	910	840	24 x Ø37	40	430	495	750	603	755	800
800	1025	950	24 x Ø41	43	470	561	812	644	872	1030
900	1125	1050	28 x Ø41	47	510	660	933	707	1010	1385
1000	1255	1170	28 x Ø44	50	550	684	1045	705	1198	2175



### WORKING CONDITIONS

Maximum working pressure : 16bar.  
 Maximum temperature : + 80°C.

### AGREEMENT AND TESTING

Test procedures are established according to BS 6755.  
 Face to face according to NF EN558-1 serie 14, DIN 3202/1 serie F4.  
 Flanges drilled according to EN 1092-2, ISO 2531 and DIN 2501 : ISO PN16.

**TECOFI France** - 83, Rue Marcel Mérieux 69960 Corbas - FRANCE  
 Tél. +33 (0) 4 72 79 05 79 - Fax +33 (0) 4 78 90 19 19 / +33 (0) 4 72 79 05 70  
 Adresses e-mail : sales@tecofi.fr ; tecofi@tecofi.fr / Site web : [www.tecofi.fr](http://www.tecofi.fr)