

Ref. : CP4200.pas

Rev. : I

Date : 11/04/2014

Page : 1/1

TILTING TYPE CHECK VALVE PN10

CP 4200



Tecofi'
VALVE DESIGNER - FRANCE

APPLICATION

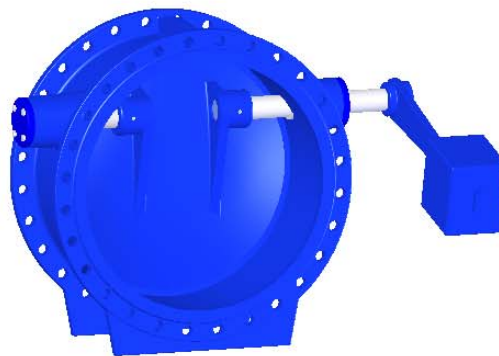
General uses: drinkable water, dry fluids, industry.

GENERAL CHARACTERISTICS

Range : from DN 150 to DN 1200.
Low head losses.
Maintenance free.
Complete sealing (double eccentric arrangement of disc).
Mounting horizontally or vertically.
Bearings self lubricated.
With or without counterweight.

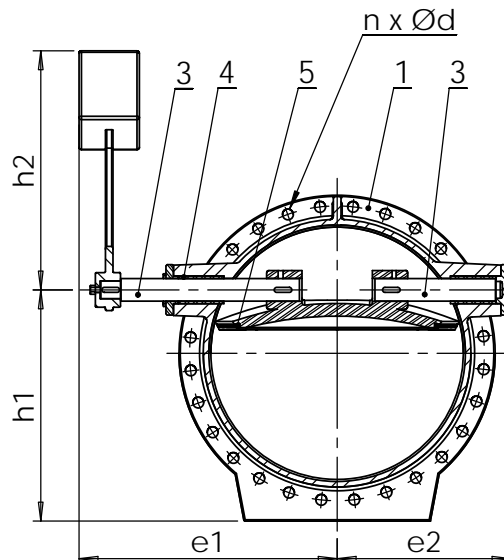
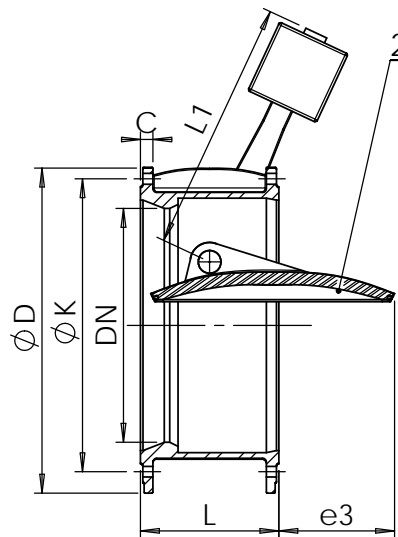
CONSTRUCTION

5	1	Gasket	EPDM
4	2	Bushing	Bronze
3	2	Shaft	Stainless steel X20 Cr13
2	1	Disc	Ductile iron GGG40
1	1	Body	Ductile iron GGG40
Pos.	Qty.	Description	Material



DIMENSIONS

DN	ØD	ØK	n x Ød	C	L	L1	e1	e2	e3	h1	h2	Weight (kg)
150	285	240	8 x Ø23	19,0	210	200	245	230	9	180	188	35
200	340	295	8 x Ø23	20,0	230	200	268	252	35	220	188	43
250	405	350	12 x Ø23	22,0	250	300	331	305	68	265	280	73
300	460	400	12 x Ø23	24,5	270	300	343	317	87	305	280	96
350	505	460	16 x Ø23	24,5	290	400	415	382	117	357	372	136
400	565	515	16 x Ø28	24,5	310	400	445	412	138	400	372	168
450	640	565	20 x Ø28	30,0	330	450	470	443	165	442	418	237
500	670	620	20 x Ø28	26,5	350	500	522	490	188	492	465	294
600	780	725	20 x Ø31	30,0	390	600	594	567	238	570	555	423
700	895	840	24 x Ø31	32,5	430	700	706	661	304	640	650	550
800	1015	950	24 x Ø34	35,0	470	800	746	711	354	720	736	820
900	1115	1050	28 x Ø34	37,5	510	900	805	780	400	797	830	1060
1000	1230	1160	28 x Ø37	40,0	550	1000	875	863	460	887	923	1245
1200	1455	1380	32 x Ø41	45,0	630	1200	960	938	568	1055	1110	1810



WORKING CONDITIONS

Maximum working pressure : 10bar.
Maximum temperature : + 80°C.

AGREEMENT AND TESTING

Test procedures are established according to BS 6755.
Face to face according to NF EN558-1 serie 14, DIN 3202/1 serie F4.
Flanges drilled according to EN 1092-2, ISO 2531 and DIN 2501 : ISO PN10.

TECOFI France - 83, Rue Marcel Mérieux 69960 Corbas - FRANCE
Tél. +33 (0) 4 72 79 05 79 - Fax +33 (0) 4 78 90 19 19 / +33 (0) 4 72 79 05 70
Adresses e-mail : sales@tecofi.fr ; tecofi@tecofi.fr / Site web : www.tecofi.fr