

AIR INLET CHECK VALVE

TECHNICAL PASSPORT

CEA5205

**FLANGED PN10
CARBON STEEL
AIR INLET CHECK VALVE**

APPLICATION

The air inlet check valve ensures rapid air entry with high flow rate in the piping when the latter is subjected to a vacuum.

Use : Potable water networks, raw water networks, irrigation networks.



Fluids : clear water, compatible liquids.



GENERAL CHARACTERISTICS

Range: from DN200 to DN300.

- Air inlet check valve with conical body and disc
- With sliding rod passing through a bronze bearing.
- Body assembled by bolting on flanged cone
- Profiling of internal parts ensuring high air flow
- Reduced pressure drop.
- Easy opening under low differential pressure.
- Metal/elastomer type sealing with oblique approach to the contact surfaces.
- Position of the disc modulated by the pressure of the pipe.

STANDARDS

Connection	Flanged connection according to EN1092-2, ISO 7005/2 , BS4504 : PN10
Essais	Pressure tests according to EN 12266-1, DIN 3230, BS 5154 et ISO 5208 : Body : 1.5 x PS Seat : 1.1 x PS
Coating	Epoxy coated body (250 microns) according to DIN 30677.

PRODUCT APPROVALS



Tecofi France

83 rue Marcel Mérieux - 69960 Corbas
Tél. +33 (0)4 72 79 05 79 - Fax. +33 (0)4 78 90 19 19
E-mail : sales@tecofi.fr - www.tecofi.fr

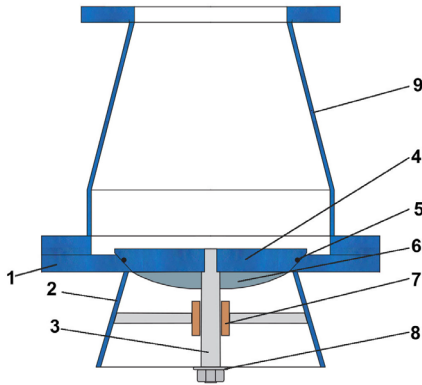


AIR INLET CHECK VALVE

TECHNICAL PASSPORT

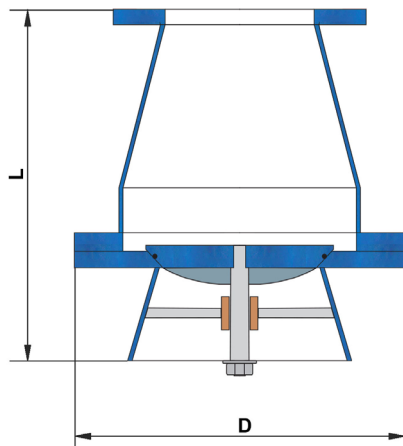
CEA5205

CONSTRUCTION



Pos.	Description	Material
1	Body	Steel St 37
2	Inlet cone	Steel St 37
3	Stem	Stainless steel 304
4	Disc	Steel St 37
5	Seat	NBR
6	Backing	PVC
7	Bearing	Bronze
8	Washer	Steel St 37
9	Connection cone	Steel St 37

DIMENSIONS



DN		L	D	Weight (kg)
mm	inch			
200	8"	470	445	66
250	10"	500	505	90
300	12"	520	565	105

WORKING CONDITIONS

Maximum working pressure: 10 bar
 Maximum working temperature : -10°C / 60°C

AIR INLET FLOW (l/s)

DN		Negative pressure (mCE)			
mm	inch	2 mCE	3 mCE	4 mCE	5 mCE
200	8"	6000	7800	9600	12000
250	10"	10000	13000	16000	20000
300	12"	16000	20800	25600	32000

Tecofi France

83 rue Marcel Mérieux - 69960 Corbas
 Tél. +33 (0)4 72 79 05 79 - Fax. +33 (0)4 78 90 19 19
 E-mail : sales@tecofi.fr - www.tecofi.fr

