

Ref. : CE 4252

Rev. : A

Date : 31/01/2018

Page : 1/1

# FLANGED TYPE PN25 WOLTMANN WATER METER

CE 4252



## APPLICATION

Water distribution.

## GENERAL CHARACTERISTICS

Individual water meter with very high accuracy.  
Horizontal installation.  
Dry dial.  
Low pressure drop.  
Easy maintenance.

## DIMENSIONS

DN	mm	50	65	80	100	125	150	200	250	300	400	500
	inch	2"	2"1/2"	3"	4"	5"	6"	8"	10"	12"	16"	20"
L		200	200	225	250	250	300	350	450	500	600	800
H		252	262	272	282	297	341	371	480	516	647	785

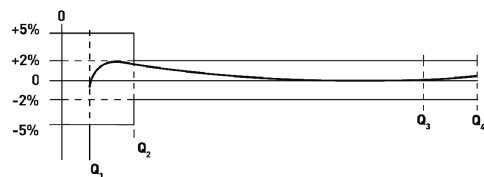
## FLOWS

DN		Permanent flow	Maximum flow	Transition flow	Minimum flow	Working pressure	Minimum value	Maximum value	Temperature range
mm	inch	Q <sub>3</sub> (m <sup>3</sup> /h)	Q <sub>4</sub> (m <sup>3</sup> /h)	Q <sub>2</sub> (l/h)	Q <sub>1</sub> (l/h)	(bar)	(liter)	(m <sup>3</sup> )	
50	2"	40	50	800	500	25	0,5	999.999	T30/T50
65	2"1/2"	63	78,75	1260	788	25	0,5	999.999	T30/T50
80	3"	63	78,75	1260	788	25	0,5	999.999	T30/T50
100	4"	100	125	2000	1250	25	0,5	999.999	T30/T50
125	5"	160	200	3200	2000	25	0,5	999.999	T30/T50
150	6"	250	312	5000	3125	25	5	9.999.999	T30/T50
200	8"	400	500	8000	5000	25	5	9.999.999	T30/T50
250	10"	630	787,5	12600	7875	25	50	99.999.999	T30/T50
300	12"	1000	1250	20000	12500	25	50	99.999.999	T30/T50
400	16"	1600	2000	32000	20000	25	50	99.999.999	T30/T50
500	20"	2500	3125	50000	31250	25	50	99.999.999	T30/T50

## WORKING CONDITIONS

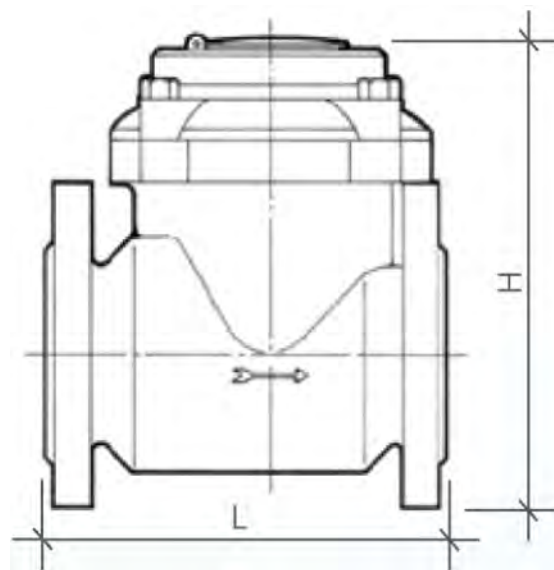
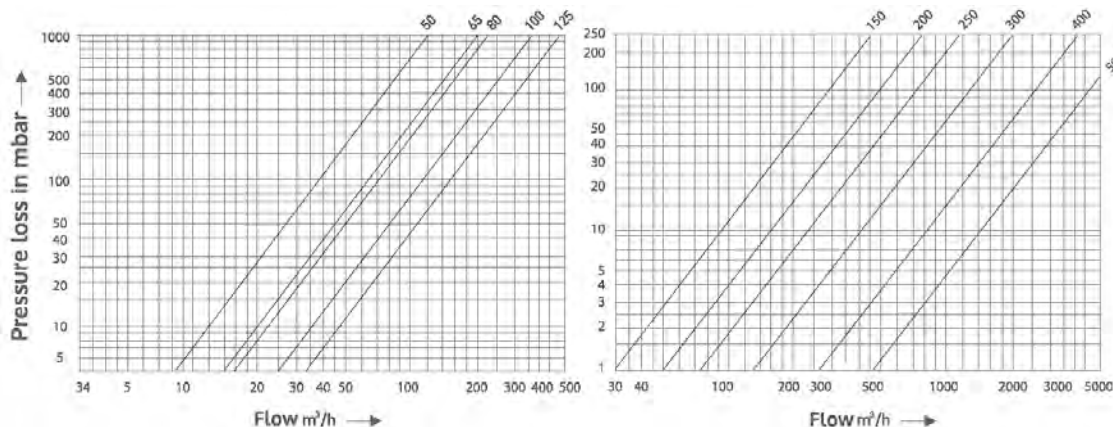
Maximum working pressure: 25 bar.

### TYPICAL ACCURACY CURVE



Metrological range MID (Q3/Q1) R=80

## HEAD LOSS



**TECOFI France** - 83, Rue Marcel Mérieux 69960 Corbas - FRANCE  
Tél. +33 (0) 4 72 79 05 79 - Fax +33 (0) 4 78 90 19 19 / +33 (0) 4 72 79 05 70  
Adresses e-mail : sales@tecofi.fr ; tecofi@tecofi.fr / Site web : [www.tecofi.fr](http://www.tecofi.fr)