

# WAFER TYPE DOUBLE PLATE CHECK VALVE

TECHNICAL PASSPORT

## DOUBLE PLATE CHECK VALVE STAINLESS STEEL BODY

CB 6442

### APPLICATION

The swing check valve TECOFI is suitable for non-loaded fluid transfer applications under regular non-pulsating conditions.

Area of use : pumping, water supply, chemical industry, desalination plants.



Fluids : clear and slightly charged waters, sea water.



### GENERAL CHARACTERISTICS

Range : from DN50 to DN600.

Design according to API 594 standard.

Ensures the flowing on fluid in one direction and closes as soon as the direction is reversed. the tightness is guaranteed by the O-ring attached to the body and the plates that pivot around the central axis located in the middle of the check valve  
Symmetrical flow with full opening.

The mounting direction is indicated by the arrow on the body.

Robust, lightweight and economical construction guaranteeing a small face to face dimension and requiring no maintenance. Lifting ring from DN200 for easier handling. Good characteristics, low pressure losses. Mounting on horizontal or vertical ascending piping. Closing assisted by stainless steel spring preventing the propagation of water hammer.

### STANDARDS

Design	Design according to ISO 9001 : 2015
Face to face	Face to face dimensions according to EN 558 Serie 50
Connection	Mounting between flanges : - EN 1092-1 : PN10/16 from DN250 to DN600 PN25 from DN50 to DN200 - Class 150 (PN20) from DN50 to DN600
Tests	Hydraulic tests according to API 598, table 6

### PRODUCT APPROVALS



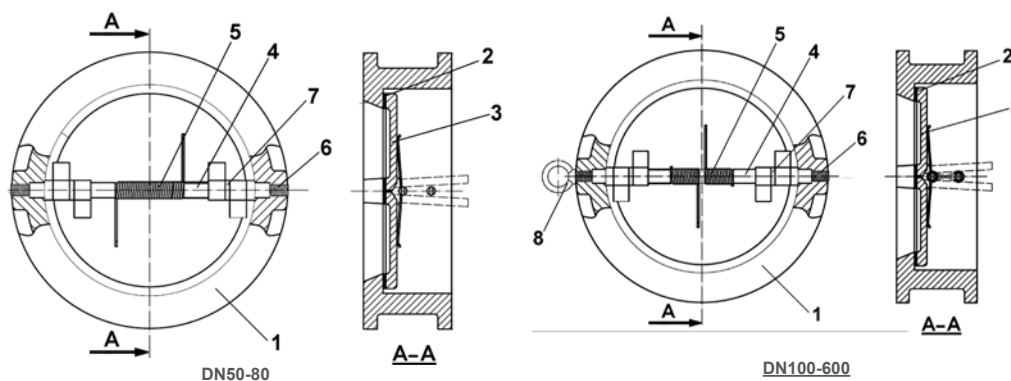
**Tecofi France**

83 rue Marcel Mérieux - 69960 Corbas  
Tél. +33 (0)4 72 79 05 79 - Fax. +33 (0)4 78 90 19 19  
E-mail : sales@tecofi.fr - [www.tecofi.fr](http://www.tecofi.fr)

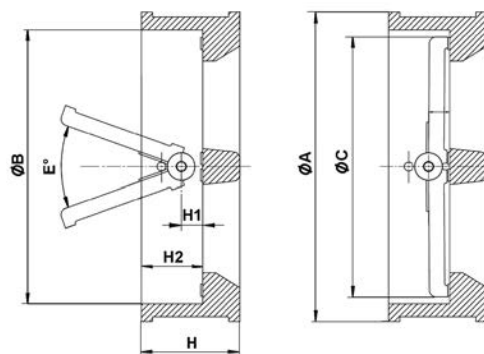


# WAFER TYPE DOUBLE PLATE CHECK VALVE

TECHNICAL PASSPORT

**CB 6442**
**CONSTRUCTION**


Pos.	Description	Material	Equivalences		
			DIN	ASTM	BS
1	Body	Stainless steel GX5 CrNiMo 19-11-2	G-X6CrNiMo18 10	A351 CF8M	316 C16
2	Plate	Stainless steel GX5 CrNiMo 19-11-2	G-X6CrNiMo18 10	A351 CF8M	316 C16
3	Seat	FKM			
4	Axis	Stainless steel 316	X5CrNiMo18 10	A 182 AISI 316	970 316 S16
5	Spring	Stainless steel 316	X5CrNiMo18 10	A 182 AISI 316	970 316 S16
6	Screw	Stainless steel 316	X5CrNiMo18 10	A 182 AISI 316	970 316 S16
7	Spacer	PTFE			
8	Lifting ring	Stainless steel 304	X5CrNi18 10	A 182 AISI 304	1449-2 304 S15

**DIMENSIONS**


DN		H	H1	H2	E°	Ø A	ØB	ØC	Weight (kg)
mm	inch								
50	2"	54	14.4	43	0°	109	70.5	60.5	1.84
65	2 1/2"	54	16.9	43	0°	129	83.5	75.8	2.4
80	3"	57	19.9	45	0°	144	91.5	80.5	3.35
100	4"	64	21	47	0°	170	115.5	104.5	5.05
125	5"	70	22.3	51	0°	196	142.5	130.5	6.68
150	6"	76	22.5	54	0°	226	169.5	155.9	9.6
200	8"	95	28	69	0°	285	220.5	201.2	18.07
250	10"	108	34	71	0°	330	275.5	257.2	26.9
300	12"	144	37	100	0°	380	325.5	303.3	38.9
350	14"	184	35	120	20°	440	356	345.9	80
400	16"	191	37.5	123	20°	491	406	388.6	106
450	18"	203	42.2	122.6	20°	541	467	431.2	128
500	20"	213	39.5	132	25°	596	514	486.8	158
600	24"	222	48.5	138.5	25°	698	616	607.6	225

**Tecofi France**

83 rue Marcel Mérieux - 69960 Corbas

Tél. +33 (0)4 72 79 05 79 - Fax. +33 (0)4 78 90 19 19

 E-mail : sales@tecofi.fr - [www.tecofi.fr](http://www.tecofi.fr)

 ISO 9001  
 ISO 14001  
 BUREAU VERITAS  
 Certification


## WAFER TYPE DOUBLE PLATE CHECK VALVE

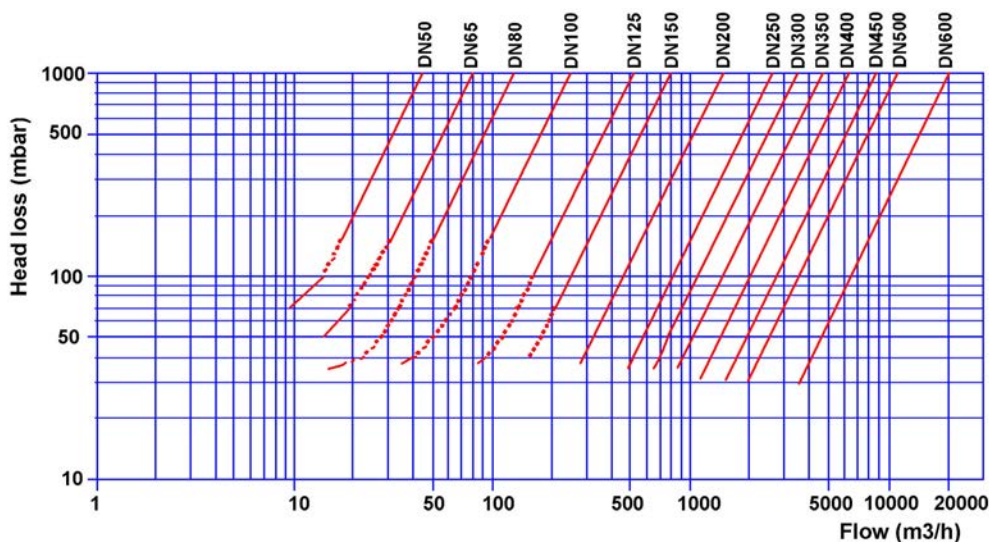
TECHNICAL PASSPORT

CB 6442

### WORKING CONDITIONS

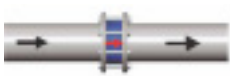
Maximum working pressure : 16 bar from DN50 to DN300  
 10 bar from DN350 to DN600  
 Back pressure for sealing : 2 bar  
 Maximum working temperature : -10°C / +180°C

### HEAD LOSS DIAGRAMM



### MOUNTING POSITION

Horizontal:



For horizontal mounting, the axis of the check valve must be vertical.



Vertical:



Vertical mounting with ascending fluid.

**⚠** During the mounting it is recommended to maintain a distance of 3 to 5 times the nominal diameter upstream and downstream of an elbow or appliance. This makes it possible to stay out of areas of turbulence likely to increase the risk of wear.

At the discharge of a pump it is advisable to carry out the assembly in accordance with the **FD CEN/TR 13932** standards

**Tecofi France**

83 rue Marcel Mérieux - 69960 Corbas  
 Tél. +33 (0)4 72 79 05 79 - Fax. +33 (0)4 78 90 19 19  
 E-mail : sales@tecofi.fr - [www.tecofi.fr](http://www.tecofi.fr)

