

Ref. : CB 4261 pas

Rev. : Initial

Date : 02/09/2016

Page : 1/1

# FLANGED PN40 SWING CHECK VALVE CB 4261



## APPLICATION

General use: clear and slightly charged water, pumping, piping, irrigation, sewage systems.

## GENERAL CHARACTERISTICS

From DN 40 to 800,  
Epoxy coated body and cover.  
Mounting in horizontal and vertical ascending position.  
Simplicity in construction.  
Total lift swing at opening.  
Reliable and efficient functioning.  
Strong construction materials.  
Noiseless construction.

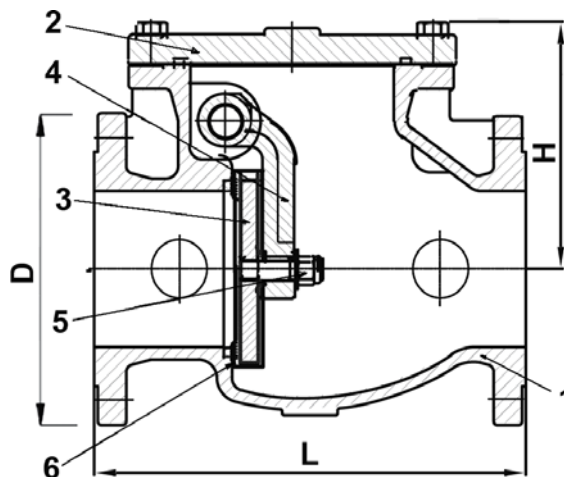
## CONSTRUCTION

6	Seal	EPDM
5	Shaft	X20CR13
4	Lever	Ductile iron
3	Disc	Steel + EPDM (DN40-400) Ductile iron (DN450-800)
2	Bonnet	Ductile iron
1	Body	Ductile iron
Pos.	Description	Material

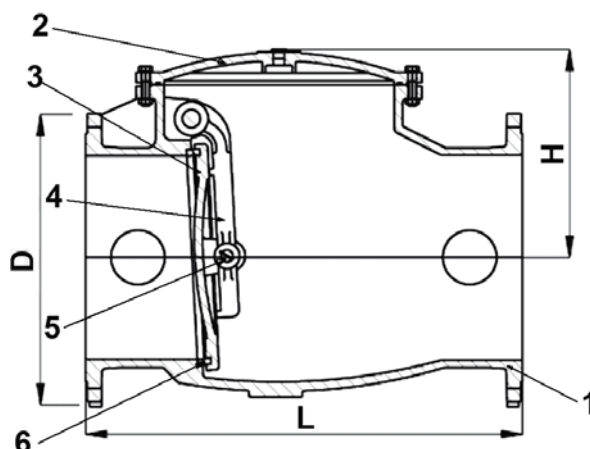


## DIMENSIONS

DN		D	L	H	Weight (kg)
mm	inch				
40	1"1/2	150	180	100	11
50	2"	165	200	110	14
65	2"1/2	185	240	120	23
80	3"	200	260	140	24
100	4"	235	300	140	28
125	5"	270	350	200	43
150	6"	300	400	215	56
200	8"	360	500	265	162
250	10"	425	600	285	198
300	12"	485	700	370	344
350	14"	555	800	375	472
400	16"	620	900	550	600
450	18"	670	1000	515	755
500	20"	730	1100	660	960
600	24"	845	1300	610	1200
700	28"	960	1500	765	-
800	32"	1085	1700	810	-



DN 40 - 400



DN 450 - 800

## WORKING CONDITIONS

Maximum working pressure : 40 bar  
Working temperature: 110°C

Pressure tests according to standards  
EN 12266-1, DIN 3230, BS 6755 and ISO 5208.

## STANDARDS

Face to face according to standards :  
EN 558-1 serie 48 and DIN 3202/1 serie F6.  
Flanges PN40 drilled according to EN 1092-2 and DIN 2501/1

TECOFI France - 83, Rue Marcel Mérieux 69960 Corbas - FRANCE  
Tél. +33 (0) 4 72 79 05 79 - Fax +33 (0) 4 78 90 19 19 / +33 (0) 4 72 79 05 70  
Adresses e-mail : sales@tecofi.fr ; tecofi@tecofi.fr / Site web : www.tecofi.fr

The photographs and technical art works are not contractual. The specifications of the presented products are open to modifications without previous advice.