

FLANGED CHECK VALVE

TECHNICAL PASSPORT

FLANGED CHECK VALVE DUCTILE IRON BODY

CB 4248A-EP

APPLICATION

The TECOFI swing check valve is suitable for transfer applications of uncharged fluids under non-pulsating regime.

Area of use: pumping, water supply, air conditioning installation and heating, chemical industry, hydraulic installations.



Fluids: clear and slightly charged water, demineralized water, non corrosive products.



GENERAL CHARACTERISTICS

Range: from DN40 to DN400.

- Swing non-return check valve
- Graphite sealing gasket between body and cover
- Sealing surface slightly inclined
- Easy closure
- Mounting direction is indicated by an arrow on the body.
- Low pressure drop.
- Sturdy construction requiring no maintenance.
- Mounting on horizontal or vertical ascending piping

STANDARDS

Face to face	According to standard DIN3202-F6
Connection	PN10/16 flange connection according to DIN2533 :
Tests	Hydraulic tests according to EN12266-1, DIN 3230, BS 5154 and ISO 5208: - Body : 24 bar - Seat : 17.6 bar

PRODUCT APPROVALS



Tecofi France

83 rue Marcel Mérieux - 69960 Corbas
Tél. +33 (0)4 72 79 05 79 - Fax. +33 (0)4 78 90 19 19
E-mail : sales@tecofi.fr - www.tecofi.fr

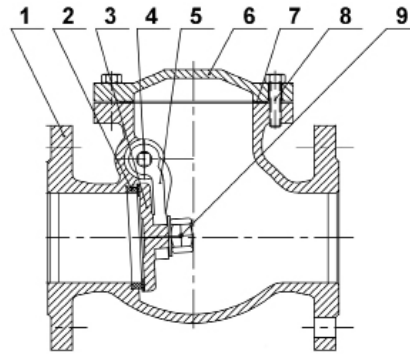


FLANGED CHECK VALVE

TECHNICAL PASSPORT

CB 4248A-EP

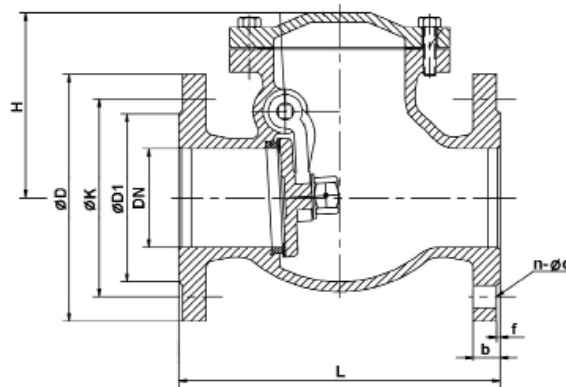
CONSTRUCTION



Constituant	Revêtement
Body (1)	Epoxy powder RAL 5015 thickness 250µm
Bonnet (6)	Epoxy powder RAL 5015 thickness 250µm

Pos.	Description	Q-ty	Material	Equivalences		
				DIN	ASTM	BS
1	Body	1	Ductile iron EN-GJS-500-7	GGG50	A536 70-50-05	EN-JS1050
2	Seat ring	1	Brass			
3	Plate	1	Ductile iron EN-GJS-500-7 + EPDM	GGG50	A536 70-50-05	EN-JS1050
4	Hinge pin	1	Stainless steel			
5	Hinge	1	Ductile iron EN-GJS-500-7	GGG50	A536 70-50-05	EN-JS1050
6	Bonnet	1	Ductile iron EN-GJS-500-7	GGG50	A536 70-50-05	EN-JS1050
7	Gasket	1	Graphite			
8	Screw	1	Stainless steel A4			
9	Nut	1	Stainless steel A4			

DIMENSIONS



DN		L	Ø D	Ø D1	Ø K	H	n-Ød	b	f	Weight (kg)
mm	inch									
40	1 1/2"	180	150	88	110	111	4-Ø18	18	3	8
50	2"	200	165	102	125	120	4-Ø18	20	3	11
65	2 1/2"	240	185	122	145	137	4-Ø18	20	3	15
80	3"	260	200	138	160	153	8-Ø18	22	3	19.4
100	4"	300	220	158	180	163	8-Ø18	24	3	25.8
125	5"	350	250	188	210	183	8-Ø18	26	3	36
150	6"	400	285	212	240	203	8-Ø23	26	3	48
200	8"	500	340	268	295	247	8-Ø23 / 12-Ø23	30	3	82
250	10"	600	405	320	350 / 355	289	12-Ø23 / 12-Ø27	32	3	122
300	12"	700	460	378	400 / 410	325	12-Ø23 / 12-Ø27	32	4	167
350	14"	800	520	438	460 / 470	383	16-Ø23 / 16-Ø27	36	4	255
400	16"	900	580	490	515 / 525	416	16-Ø27 / 16-Ø30	38	4	313

Tecofi France

83 rue Marcel Mérioux - 69960 Corbas
 Tél. +33 (0)4 72 79 05 79 - Fax. +33 (0)4 78 90 19 19
 E-mail : sales@tecofi.fr - www.tecofi.fr



FLANGED CHECK VALVE

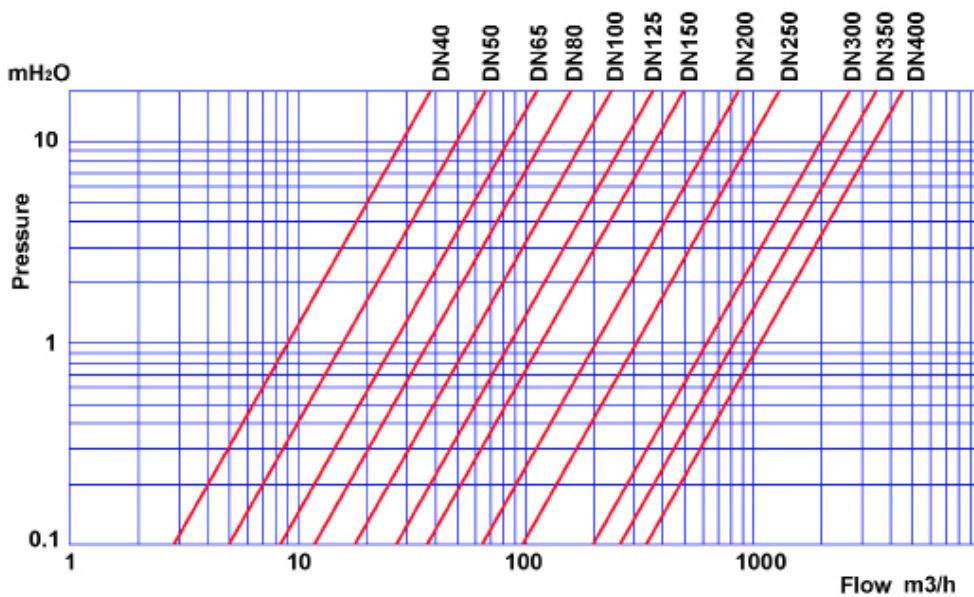
TECHNICAL PASSPORT

CB 4248A-EP

WORKING CONDITIONS

Maximum working pressure : 16 bar
Maximum working temperature : -10°C / +110°C

HEAD LOSS DIAGRAMM



FLOW FACTOR (Kvs)

DN	40	50	65	80	100	125	150	200	250	300	350	400
Kvs	28.5	50.2	83.7	117	179	272	370	647	971	1994	2595	3389

Tecofi France

83 rue Marcel Mérieux - 69960 Corbas
Tél. +33 (0)4 72 79 05 79 - Fax. +33 (0)4 78 90 19 19
E-mail : sales@tecofi.fr - www.tecofi.fr

