

WAFER TYPE DOUBLE PLATE CHECK VALVE

TECHNICAL PASSPORT

**CLAPET A DOUBLE BATTANT CORPS FONTE
ENTRE BRIDES**

CB 3442

APPLICATION

The swing check valve TECOFI is suitable for non-loaded fluid transfer applications under regular non-pulsating conditions.

Area of use : pumping, water supply, chemical industry, desalination plants.



Fluids : clear and slightly charged waters, sea water.



GENERAL CHARACTERISTICS

Range : from DN50 to DN350.

Design according to API 594 standard.

Ensures the flowing on fluid in one direction and closes as soon as the direction is reversed. the tightness is guaranteed by the O-ring attached to the body and the plates that pivot around the central axis located in the middle of the check valve
Symmetrical flow with full opening.

The mounting direction is indicated by the arrow on the body.

Robust, lightweight and economical construction guaranteeing a small face to face dimension and requiring no maintenance. Lifting ring from DN200 for easier handling.

Internal and external coating in epoxy paint RAL 003, thickness 50-100 µm. Good characteristics, low pressure losses. Mounting on horizontal or vertical ascending piping. Closing assisted by stainless steel spring preventing the propagation of water hammer.

STANDARDS

Design	Design according to API 594 standard
Face to face	Face to face dimensions according to EN 558 Serie 50
Connection	Mounting between flanges EN 1092-1 PN10/16 Installation possible between c= Class 150 (PN20) flanges for dimensions from DN100 to DN350.
Tests	Hydraulic tests according to EN12266-1, DIN 3230, BS 5154 and ISO 5208: - Body : PS x 1.5 bar - Seat : PS x 1.1 bar

PRODUCT APPROVALS



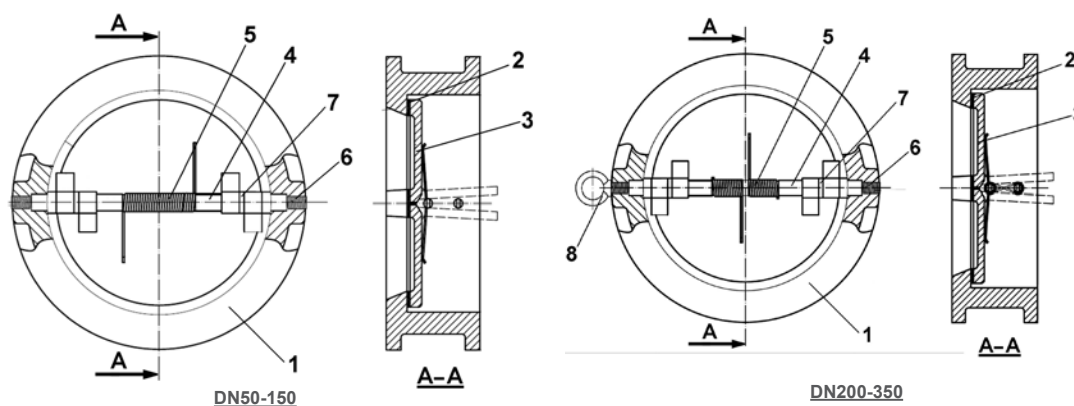
Tecofi France

83 rue Marcel Mérieux - 69960 Corbas
Tél. +33 (0)4 72 79 05 79 - Fax. +33 (0)4 78 90 19 19
E-mail : sales@tecofi.fr - www.tecofi.fr

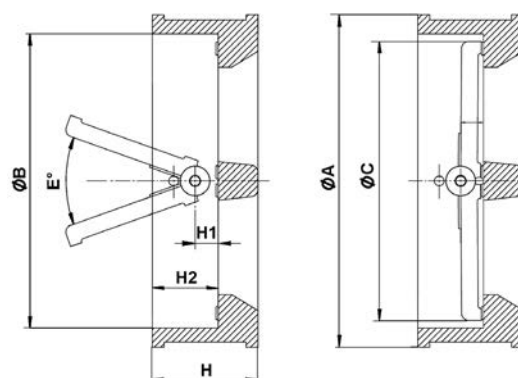


WAFER TYPE DOUBLE PLATE CHECK VALVE

TECHNICAL PASSPORT

CB 3442
CONSTRUCTION


Pos.	Description	Material	Equivalences		
			DIN	ASTM	BS
1	Body	Ductile iron En-GJS-400-15	GGG40	A536 65-45-12	1563 EN-JS1030
2	Plate	Aluminium-bronze		B148 C954	
3	Seat	NBR			
4	Axis	Stainless steel 316	X5CrNiMo18 10	A 182 AISI 316	970 316 S16
5	Spring	Stainless steel 316	X5CrNiMo18 10	A 182 AISI 316	970 316 S16
6	Screw	Galvanized steel			
7	Spacer	PTFE			
8	Lifting ring	Stainless steel 304	X5CrNi18 10	A 182 AISI 304	1449-2 304 S15

DIMENSIONS


DN		H	H1	H2	E°	Ø A	ØB	ØC	Weight (kg)
mm	inch								
50	2"	54	14.4	43	0°	109	70.5	60.5	1.65
65	2 1/2"	54	16.9	43	0°	129	83.5	75.8	2.4
80	3"	57	19.9	45	0°	144	91.5	80.5	3.1
100	4"	64	21	47	0°	164	115.5	104.5	4.85
125	5"	70	22.3	51	0°	194	142.5	130.5	6.4
150	6"	76	22.5	54	0°	220	169.5	155.9	9.1
200	8"	95	28	69	0°	275	220.5	201.2	16.9
250	10"	108	34	71	0°	330	275.5	257.2	27.5
300	12"	144	37	100	0°	380	325.5	303.3	35.9
350	14"	184	35	120	20°	440	356	345.9	81

Tecofi France

83 rue Marcel Mérieux - 69960 Corbas

Tél. +33 (0)4 72 79 05 79 - Fax. +33 (0)4 78 90 19 19

 E-mail : sales@tecofi.fr - www.tecofi.fr

 ISO 9001
 ISO 14001
 BUREAU VERITAS
 Certification


WAFER TYPE DOUBLE PLATE CHECK VALVE

TECHNICAL PASSPORT

CB 3442

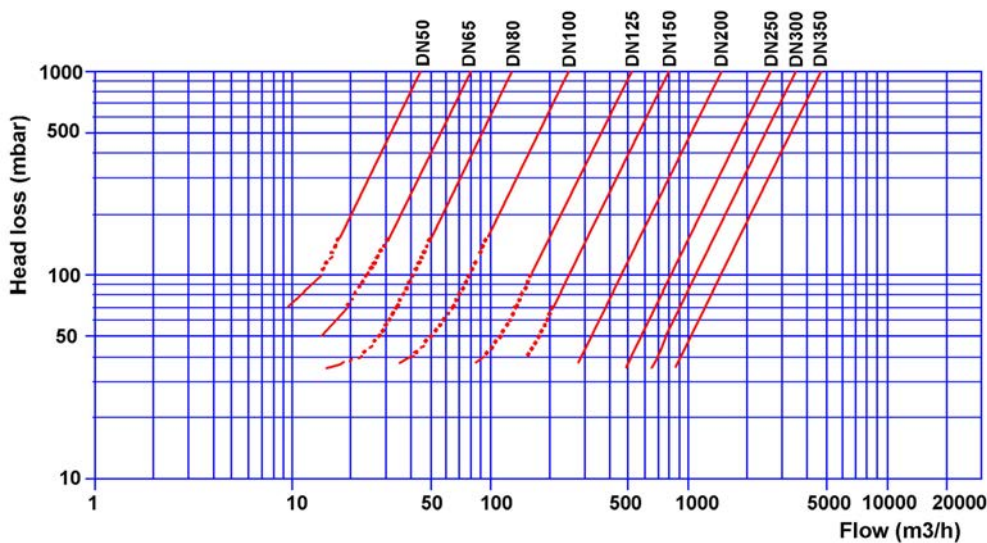
WORKING CONDITIONS

Maximum working pressure : 16 bar from DN50 to DN300
10 bar for DN350

Back pressure for sealing : 2 bar

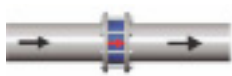
Maximum working temperature : -10°C / +80°C

HEAD LOSS DIAGRAMM



MOUNTING POSITION

Horizontal:



For horizontal mounting, the axis of the check valve must be vertical.



Vertical:



Vertical mounting with ascending fluid.

⚠ During the mounting it is recommended to maintain a distance of 3 to 5 times the nominal diameter upstream and downstream of an elbow or appliance. This makes it possible to stay out of areas of turbulence likely to increase the risk of wear.

At the discharge of a pump it is advisable to carry out the assembly in accordance with the **FD CEN/TR 13932** standards

Tecofi France

83 rue Marcel Mérieux - 69960 Corbas

Tél. +33 (0)4 72 79 05 79 - Fax. +33 (0)4 78 90 19 19

E-mail : sales@tecofi.fr - www.tecofi.fr

