

Ref. : CB 3243 pas

Rev. : Initial

Date : 22/10/2013

Page : 1/1

FLANGED TYPE SWING CHECK VALVE PN16

CB 3243



Tecofi 
VALVE DESIGNER - FRANCE

APPLICATION

General use : Heating, water distribution and watering.

GENERAL CHARACTERISTICS

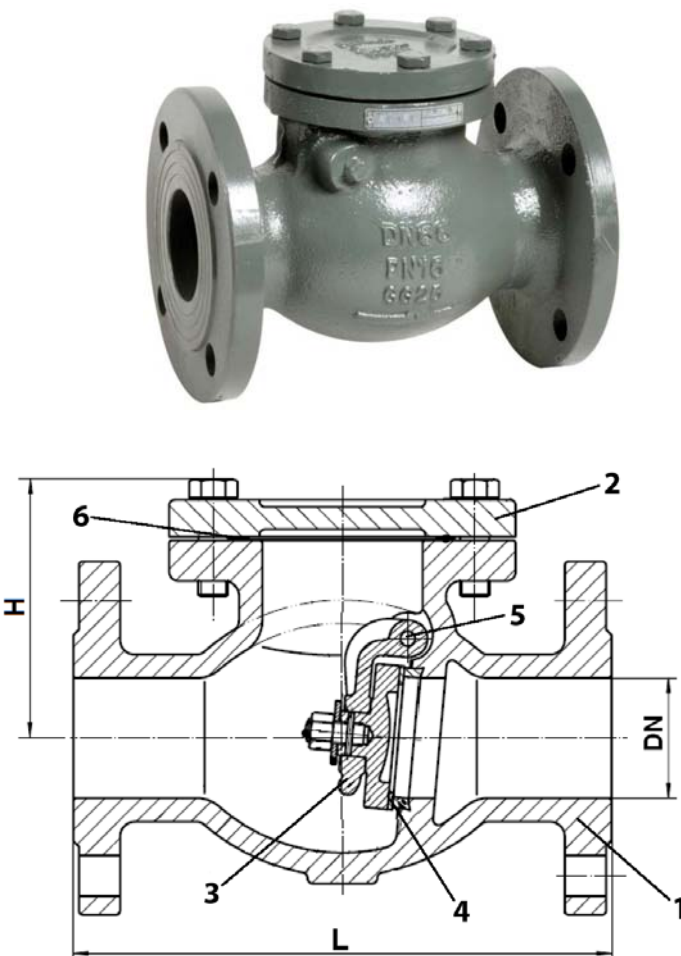
From DN1/4" to DN 2".
 Swing check type
 Vertical position with ascendant fluid or horizontal position.
 The flow direction is indicated by the arrow on the body.
 ISO PN16 flanges.
 Bolted bonnet.

CONSTRUCTION

6	Bonnet gasket	Graphit
5	Stem	Stainless steel 304
4	Seat	EPDM
3	Disc	Ductile iron EN GJS-400-15
2	Bonnet	Cast iron EN GJL-250
1	Body	Cast iron EN GJL-250
Pos.	Description	Material

DIMENSIONS

DN		L	H	Weight (kg)
mm	inch			
40	1"1/2	180	109	8,5
50	2"	200	112	11,2
65	2"1/2	240	132	15,5
80	3"	260	141	19,0
100	4"	300	162	28,5
125	5"	350	192	42,2
150	6"	400	211	57,0
200	8"	500	270	93,0



WORKING CONDITIONS

Maximum working temperature : -10°C / +80°C

Maximum working pressure : 16 bar

STANDARDS

Fabrication according to ISO 9001 : 2008
 Face to face according to EN 558 série 48 (DIN 3202 F6)
 ISO PN16 flange according to EN 1092-2 PN16

