

Ref. : CB 3241PN10.pas

Rev. : D

Date : 25/01/2018

Page : 1/1

# FLANGED TYPE SWING CHECK VALVE PN10

## CB 3241PN10

ISO 9001  
BUREAU VERITAS  
Certification



EAC

**Tecofi**  
VALVE DESIGNER - FRANCE



### APPLICATION

General uses: clean water, lightly charged, pumping, water piping, irrigation, gas, non corrosive fluid.

### GENERAL CHARACTERISTICS

From DN 40 to 400,  
Mounting in horizontal and vertical ascending position.  
Simplicity in construction.  
Reliable and efficient functioning.  
Strong construction materials.

### CONSTRUCTION

5	1	Gasket	Fiber	
4	1	Tightness	Copper-alloy / Rubber	
3	1	Obturator	Cast iron EN-GJL-250	DIN: GG25 ASTM: A48 class 40B BS: 1452 Grade 250
2	1	Cover	Cast iron EN-GJL-250	DIN: GG25 ASTM: A48 class 40B BS: 1452 Grade 250
1	1	Body	Cast iron EN-GJL-250	DIN: GG25 ASTM: A48 class 40B BS: 1452 Grade 250
Pos.	Qty.	Description	Material	

### DIMENSIONS

DN	L	H	ØD	Øk	n	ØM	Weight (kg)
40	180	114	150	110	4	19	9
50	200	127	165	125	4	19	12
65	240	137	185	145	4	19	16
80	260	150	200	160	4	19	20
100	300	164	220	180	8	19	27
125	350	185	250	210	8	19	42
150	400	205	285	240	8	19	58
200	500	249	340	295	8	23	93
250	600	301	395	350	12	23	155
300	700	333	445	400	12	23	221
350	800	377	505	460	16	23	306
400	900	405	565	515	16	28	430

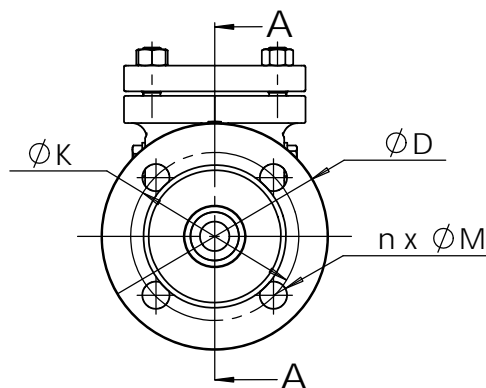
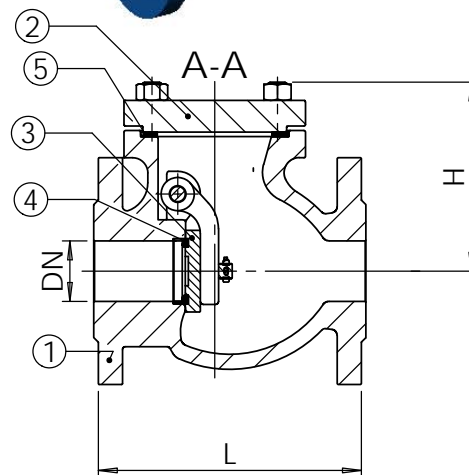
### WORKING CONDITIONS

Maximum working pressure : 10 bar.  
Maximum temperature : + 80°C.

Pressure test according to standards  
EN 12266-1, DIN 3230, BS 6755 and ISO 5208 :  
Body : 15 bar.  
Seat : 11 bar.

### STANDARDS

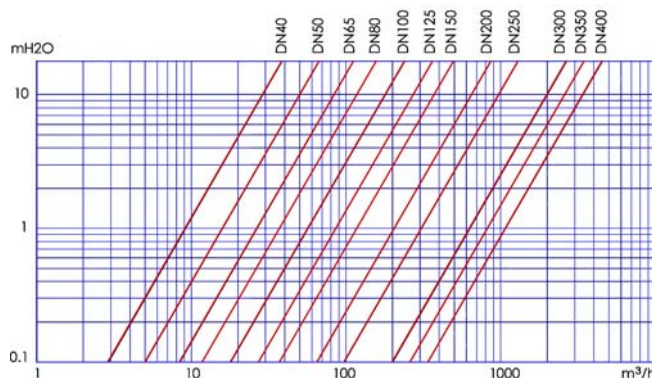
Face to face according to standards :  
EN 558-1 serie 48 and DIN 3202/1 serie F6.  
Flanges drilled according to EN 1092-2 and  
DIN 2501/1:ISO PN10. ASA 150 on request.



### Flow factor Kv

DN	40	50	65	80	100	125	150	200	250	300	350	400
Kv	28,9	50,2	83,7	117	179	272	370	647	971	1994	2595	3389

### Head loss



**TECOFI France** - 83, Rue Marcel Mérieux 69960 Corbas - FRANCE  
Tél. +33 (0) 4 72 79 05 79 - Fax +33 (0) 4 78 90 19 19 / +33 (0) 4 72 79 05 70  
Adresses e-mail : sales@tecofi.fr ; tecofi@tecofi.fr / Site web : [www.tecofi.fr](http://www.tecofi.fr)