

# FLANGED CHECK VALVE

## TECHNICAL PASSPORT

### FLANGED PN10 CHECK VALVE CAST IRON BODY

**CB 3240PN10**

#### APPLICATION

The TECOFI swing check valve is suitable for transfer applications of uncharged fluids under non-pulsating regime.

**Area of use:** pumping, water supply, air conditioning installation and heating, chemical industry, hydraulic installations.



**Fluids:** clear and slightly charged water, demineralized water, non corrosive products.



#### GENERAL CHARACTERISTICS

**Range:** from DN 200 to DN400.

- Swing non-return check valve
- Graphite sealing gasket between body and cover
- Sealing surface slightly inclined
- Easy closure
- Mounting direction is indicated by an arrow on the body.
- Low pressure drop.
- Sturdy construction requiring no maintenance.
- Mounting on horizontal or vertical ascending piping

#### STANDARDS

<b>Face to face</b>	according to standard DIN3202-F6
<b>Connection</b>	Flange connection according to DIN2533 : PN10
<b>Tests</b>	Hydraulic tests according to EN12266-1, DIN 3230, BS 5154 and ISO 5208: - Body : 15 bar - Seat : 11 bar

#### PRODUCT APPROVALS



#### Tecofi France

83 rue Marcel Mérieux - 69960 Corbas  
Tél. +33 (0)4 72 79 05 79 - Fax. +33 (0)4 78 90 19 19  
E-mail : sales@tecofi.fr - [www.tecofi.fr](http://www.tecofi.fr)



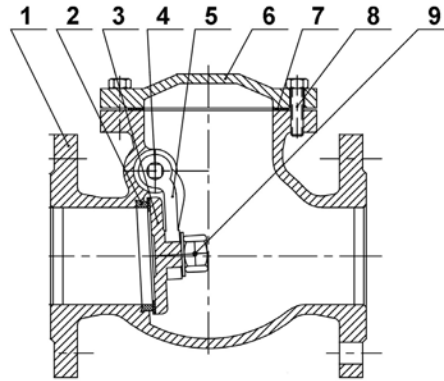
## FLANGED CHECK VALVE

### TECHNICAL PASSPORT

CB 3240PN10

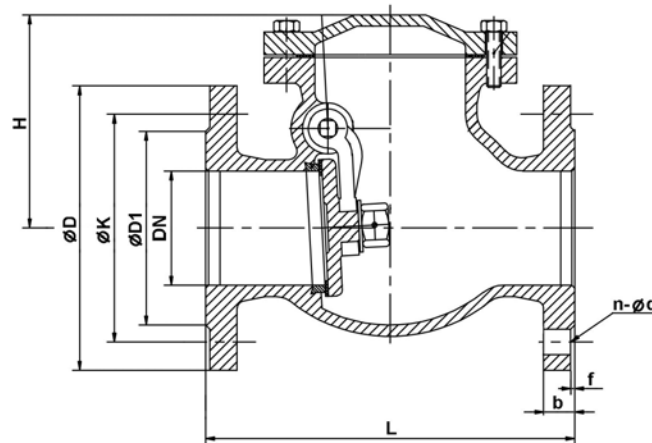
#### CONSTRUCTION

Constituant	Revêtement
Body (1)	Epoxy powder RAL 5017 thickness 150µm
Bonnet (6)	Epoxy powder RAL 5017 thickness 150µm



Pos.	Description	Material	Equivalences		
			DIN	ASTM	BS
1	Body	Cast iron EN-GJL-250	GG25	A48 class 40B	1452 Grade 250
2	Seat ring	Brass			
3	Plate	Cast iron EN-GJL-250 + Brass	GG25	A48 class 40B	1452 Grade 250
4	Hinge pin	Stainless steel			
5	Hinge	Ductile iron EN-GJS-400-15	GGG40	A536 65-45-12	1563 EN-JS1030
6	Bonnet	Cast iron EN-GJL-250	GG25	A48 class 40B	1452 Grade 250
7	Gasket	Graphite			
8	Screw	Zinc plated steel			
9	Nut	Zinc plated steel			

#### DIMENSIONS



DN		L	Ø D	Ø D1	Ø K	H	n-Ød	b	f	Weight (kg)
mm	inch									
200	8"	500	340	268	295	252	8-Ø23	30	3	95
250	10"	600	395	320	350	306	12-Ø23	32	3	135
300	12"	700	445	378	400	335	12-Ø23	32	4	220
350	14"	800	505	430	460	380	16-Ø23	36	4	286
400	16"	900	565	482	515	410	16-Ø27	38	4	380

**Tecofi France**

83 rue Marcel Mérieux - 69960 Corbas  
 Tél. +33 (0)4 72 79 05 79 - Fax. +33 (0)4 78 90 19 19  
 E-mail : sales@tecofi.fr - [www.tecofi.fr](http://www.tecofi.fr)

ISO 9001  
 ISO 14001  
 BUREAU VERITAS  
 Certification



# FLANGED CHECK VALVE

## TECHNICAL PASSPORT

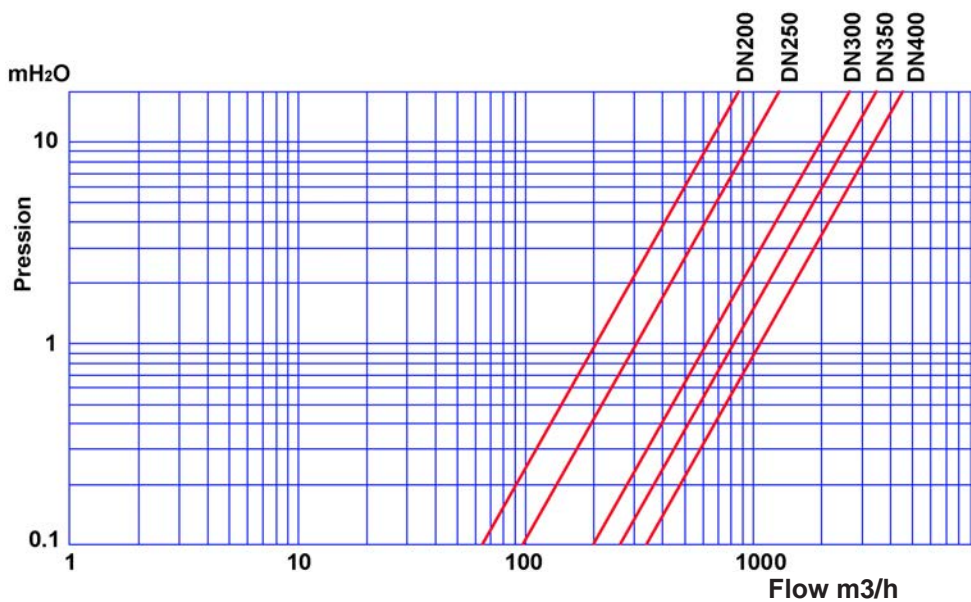
**CB 3240PN10**

### WORKING CONDITIONS

Maximum working pressure : 10 bar

Maximum working temperature : +150°C

### HEAD LOSS DIAGRAMM



### FLOW FACTOR (Kvs)

DN	200	250	300	350	400
Kvs	647	971	1994	2595	3389

### Tecofi France

83 rue Marcel Mérieux - 69960 Corbas  
Tél. +33 (0)4 72 79 05 79 - Fax. +33 (0)4 78 90 19 19  
E-mail : sales@tecofi.fr - [www.tecofi.fr](http://www.tecofi.fr)

