

Ref. : CB 2143W.pas

Rev. : C

Date : 19/03/2020

Page : 1/1

THREADED TYPE SWING CHECK VALVE PN20

CB 2143W



APPLICATION

General use : water, oil.

GENERAL CHARACTERISTICS

From DN 1/2" to DN 2".
 Low head loss.
 Simplicity and facility in use.
 Extremely reliable, noiseless.

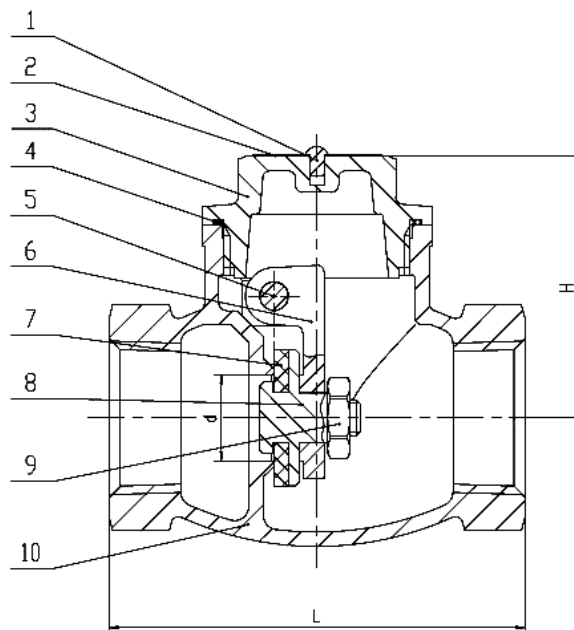
CONSTRUCTION

10	Body	Bronze CC491K
9	Hinge nut	Stainless steel 304
8	Disc holder	Bronze CC491K
7	Disc	NBR
6	Hinge	Bronze CC491K
5	Hinge pin	Stainless steel 304
4	Packing	PTFE
3	Cap	Bronze CC491K
2	Nameplate	Aluminium
1	Drive screw	TP2
Pos.	Description	Material



DIMENSIONS

DN		L	H	d	Weight (kg)
mm	inch				
15	1/2"	58	36.5	12	0,251
20	3/4"	66	43	18	0,383
25	1"	76	49	24	0,602
32	1"1/4	88	57	30.6	0,866
40	1"1/2	96	62.5	37	1,149
50	2"	112	72	48.6	1,791



WORKING CONDITIONS

Maximum working pressure : 20 bar.
 Maximum working temperature : -10°C / + 170°C.

STANDARDS

Female/female threaded ends according to BSPP.
 Test procedures are established according to NF EN12266-1 : 2012.
 WRAS certification n° 1804110.