

Ref. : CB 1102 pas

Rev. : Initial

Date : 22/10/2013

Page : 1/1

THREADED TYPE SWING CHECK VALVE PN10

CB 1102



Tecofi
VALVE DESIGNER - FRANCE

APPLICATION

General use: For all common fluids.

GENERAL CHARACTERISTICS

From DN3/8" to DN 4".
Vertical position with ascendant fluid or horizontal position.
The flow direction is indicated by the arrow on the body.
Cylindric threaded female BSP ends.
Swing type.
Tightness : EPDM from DN3/8" to DN2";
NBR from DN2"1/2 to DN4".

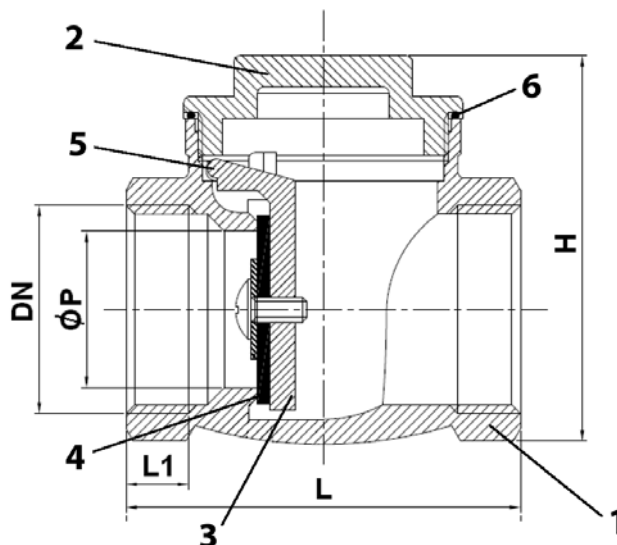


CONSTRUCTION

6	Bonnet gasket	EPDM - from DN3/8" to DN2" NBR - from DN2"1/2" to DN4"
5	Stem	Brass CW 614 N according to EN 12164
4	Seat	EPDM - from DN3/8" to DN2" NBR - from DN2"1/2" to DN4"
3	Disc	Brass CW 617 N according to EN 12165
2	Bonnet	Brass CW 617 N according to EN 12165
1	Body	Brass CW 617 N according to EN 12165
Pos.	Description	Material

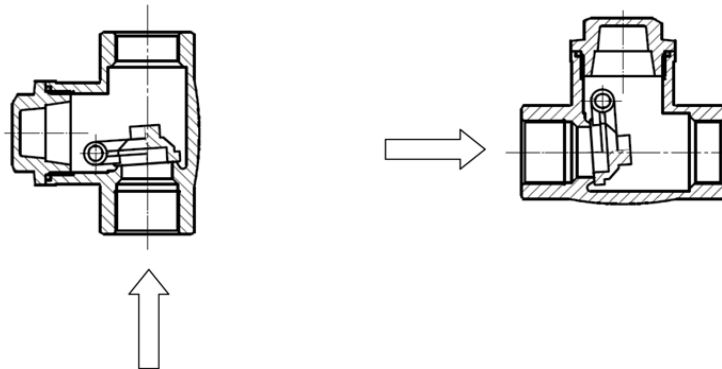
DIMENSIONS

DN		ØP	L	L1	H	Weight (kg)
mm	inch					
10	3/8"	10	47	8	46	0,182
15	1/2"	15	47	8	46	0,158
20	3/4"	20	53	8	51	0,231
25	1"	25	63	10	61	0,370
32	1"1/4	33	74	10	73	0,554
40	1"1/2	37	87	10	85	0,726
50	2"	47	97	11	94	1,268
65	2"1/2	55	116	16	113	1,579
80	3"	68	135	16	133	2,253
100	4"	88	164	20	166	3,837



Vertical position (ascendant fluid)

Horizontal position



WORKING CONDITIONS

Maximum working temperature : 0°C / +60°C

Maximum working pressure : 10 bar

STANDARDS

Threaded female BSP cylindric ends.

The photographs and technical art works are not contractual. The specifications of the presented products are open to modifications without previous advice.