

AXIAL CHECK VALVE

TECHNICAL PASSPORT

BUTT WELDING AXIAL CHECK VALVE STAINLESS STEEL BODY

CA 6979

APPLICATION

Protection of installations against reverse flow.

Area of use : Chemical, pharmaceutical or petro-chemical industries, high pressure, high temperature, thermal fluid, hydraulic networks, etc.



Fluids: water, steam, chemicals, etc.



GENERAL CHARACTERISTICS

Range: from DN1/4" to DN4".

- Multi position stainless steel non return check valve.
- 3-Pcs construction assembled by stainless steel bolts
- Direction of assembly is indicated by an arrow on the body
- Opening at low pressure.
- Low pressure drop.
- Stainless steel return spring.
- Metal/métal tightness

STANDARDS

Connection	Butt welding (BW) according to ANSI B2.1, BS21, DIN259/2999
Tests	Pressure test according to standard API598

PRODUCT APPROVALS



II 2 GD c T2

Tecofi France

83 rue Marcel Mérieux - 69960 Corbas
Tél. +33 (0)4 72 79 05 79 - Fax. +33 (0)4 78 90 19 19
E-mail : sales@tecofi.fr - www.tecofi.fr

ISO 9001
ISO 14001
BUREAU VERITAS
Certification

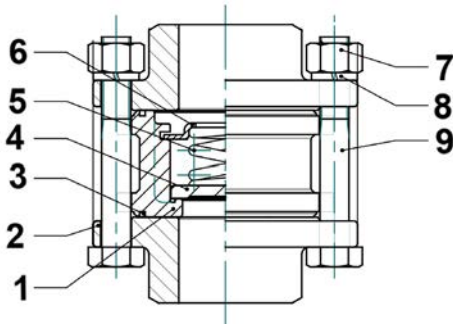


AXIAL CHECK VALVE

TECHNICAL PASSPORT

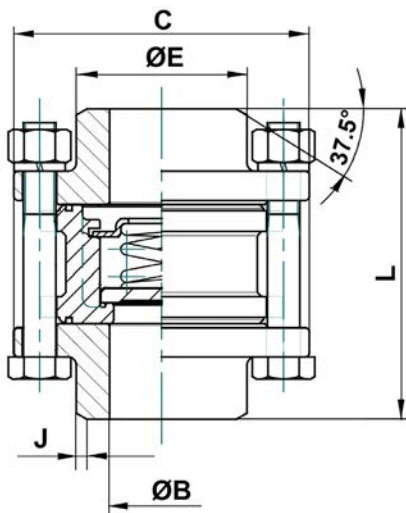
CA 6979

CONSTRUCTION



Pos.	Q-ty	Description	Material
1	1	Body	Stainless steel CF8M
2	2	Bonnet	Stainless steel CF8M
3	2	Gasket	PTFE
4	1	Disc	Stainless steel CF8M
5	1	Spring	Stainless steel 316
6	1	Stopper	Stainless steel 304
7	4 (6)	Nut	Stainless steel 304
8	4 (6)	Washer	Stainless steel 304
9	4 (6)	Bolt	Stainless steel 304

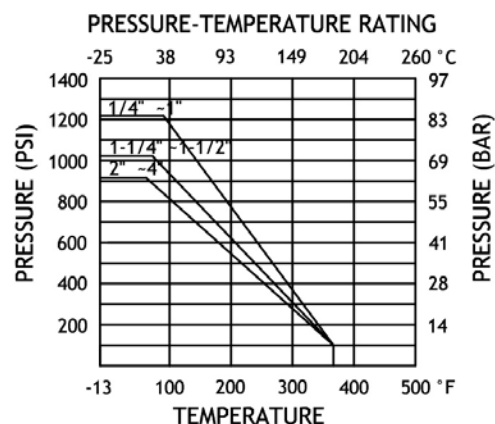
DIMENSIONS



DN		L	B	C	ØE	J	Cracking pressure (mbar)		Weight (kg)
mm	inch						Horizontal	vertical	
8	1/4"						55	58	0.14
10	3/8"						55	58	0.14
15	1/2"	56.5	15	54	23	1.6	55	58	0.30
20	3/4"	65.5	20	62	28	1.6	80	83	0.43
25	1"	75	25	71	34	1.6	25	29	0.61
32	1 1/4"	82	32	88	41	1.6	25	29	1.00
40	1 1/2"	90	40	95	49	2	25	29	1.32
50	2"	111.5	50	117	61	2	30	35	2.14
65	2 1/2"	125.5	65	147	78	3.5	30	35	4.00
80	3"	139	76	167	94	3.5	15	21	5.71
100	4"	166	94	224	115	3.5	15	21	10.00

WORKING CONDITIONS

Maximum working pressure : 63 bar
 Maximum working temperature : -25°C /+ 180°C



Tecofi France

83 rue Marcel Mérieux - 69960 Corbas
 Tél. +33 (0)4 72 79 05 79 - Fax. +33 (0)4 78 90 19 19
 E-mail : sales@tecofi.fr - www.tecofi.fr



The photographs and technical art works are not contractual. The specifications of the presented products are open to modifications without previous advice