

Ref. : CA 6170NPT.pas

Rev. : Initial

Date : 02/10/2013

Page : 1/1

DISC AXIAL CHECK VALVE

CA 6170NPT



Tecofi'
VALVE DESIGNER - FRANCE

APPLICATION

General use : Chemical and pharmaceutical industries, petrochemical industries, hydraulic installation, compressed air

GENERAL CHARACTERISTICS

From DN 1/4" to DN 2".
Conception according to ASME B16.34
3 pieces spring type
All positions (respect the flow direction indicated by the arrow).
Metal / metal tightness.
Stainless steel construction.

CONSTRUCTION

9		Nut	Stainless steel 304
8		Washer	Stainless steel 304
7	1	Screw	Stainless steel 304
6	1	Spring holder	Stainless steel ASTM A240-316
5	1	Ends	Stainless steel ASTM A351 CF8M
4	1	Gasket	PTFE
3	1	Spring	Stainless steel 316
2	1	Disc	Stainless steel ASTM A240-316
1	1	Body	Stainless steel ASTM A351 CF8M
Pos.	Q-ty	Description	Material

DIMENSIONS

DN		ØP	L	L1	L2	B	ØD	ØT	W	Weight (kg)
mm	inch									
8	1/4"	10	60	16	21	18	12	36.5	22	0.3
10	3/8"	10	60	16	21	18	12	36.5	22	0.2
15	1/2"	14	63	18	22	19	14	42.7	26	0.4
20	3/4"	19	71	20	23.5	24	16	51.7	32	0.5
25	1"	25	81.5	20	26	29.5	16	58.7	39	0.7
32	1 1/4"	31	91	23	29	33	18	72.7	49	1.3
40	1 1/2"	39	97.5	23	30	37.5	18	83.7	56	1.7
50	2"	49	117	27	35	47	18	98.7	69	2.5

WORKING CONDITIONS

Maximum working pressure : 63 bar.
Maximum working temperature : -20°C / +200°C.

Minimum opening pressure:

Vertical position (flow down) : 21 mbar.

Vertical position (flow upwardly):

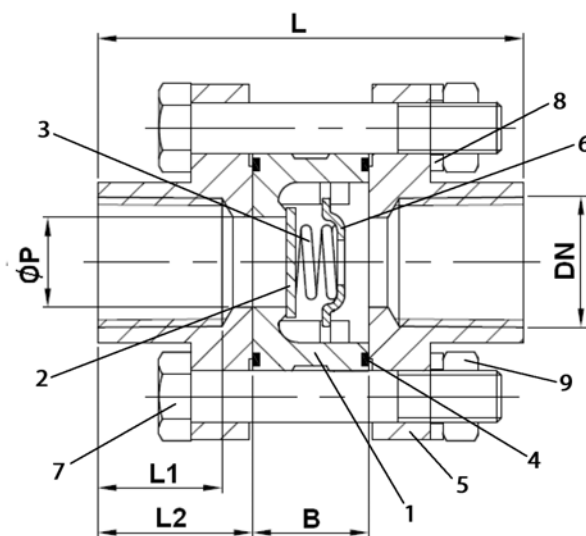
DN8-25 : 25 mbar ; DN32 : 27 mbar ; DN40-50 : 29 mbar
DN65 : 31 mbar; DN80 : 32 mbar; DN100 : 33 mbar.

Horizontal position:

DN8-25 : 23 mbar; DN32 : 24 mbar; DN40-65 : 25 mbar;
DN80 : 26 mbar; DN100 : 27 mbar.

STANDARDS

NPT threaded ends according to ANSI B1.20.1.
Tests according to API 598, table 6.
Fabrication according to ISO 9001 : 2008.
Construction according to EN 12516-1.



End vue

