

Ref. : CA 6170BSP.pas

Rev. : Initial

Date : 02/10/2013

Page : 1/1

DISC AXIAL CHECK VALVE

CA 6170BSP



Tecofi'
VALVE DESIGNER - FRANCE

APPLICATION

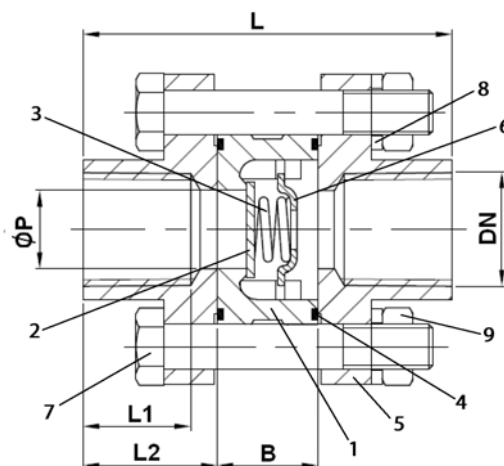
General use : Chemical and pharmaceutical industries, petrochemical industries, hydraulic installation, compressed air

GENERAL CHARACTERISTICS

From DN 1/4" to DN 4".
Conception according to ASME B16.34
3 pieces spring type
All positions (respect the flow direction indicated by the arrow).
Metal / metal tightness.
Stainless steel construction.

CONSTRUCTION

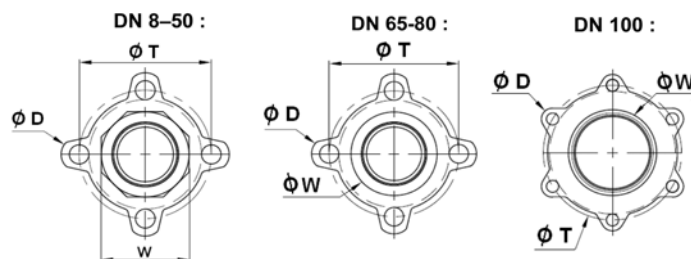
9		Nut	Stainless steel 304
8		Washer	Stainless steel 304
7	1	Screw	Stainless steel 304
6	1	Spring holder	Stainless steel ASTM A240-316
5	1	Ends	Stainless steel ASTM A351 CF8M
4	1	Gasket	PTFE
3	1	Spring	Stainless steel 316
2	1	Disc	Stainless steel ASTM A240-316
1	1	Body	Stainless steel ASTM A351 CF8M
Pos.	Q-ty	Description	Material



DIMENSIONS

DN		ØP	L	L1	L2	B	ØD	ØT	W	Weight (kg)
mm	inch									
8	1/4"	10	60	16	21	18	12	36.5	22	0.3
10	3/8"	10	60	16	21	18	12	36.5	22	0.2
15	1/2"	14	63	18	22	19	14	42.7	26	0.4
20	3/4"	19	71	20	23.5	24	16	51.7	32	0.5
25	1"	25	81.5	20	26	29.5	16	58.7	39	0.7
32	1 1/4"	31	91	23	29	33	18	72.7	49	1.3
40	1 1/2"	39	97.5	23	30	37.5	18	83.7	56	1.7
50	2"	49	117	27	35	47	18	98.7	69	2.5
65	2 1/2"	64	131.5	33	42	47.5	18	129	83	4.3
80	3"	78	143.5	35	44	55.5	18	153.5	100	6.2
100	4"	97	174.5	45	52	70.5	18	186.5	122.5	11

Ends type



WORKING CONDITIONS

Maximum working pressure : 63 bar.
Maximum working temperature : -20°C / +200°C.

Minimum opening pressure:

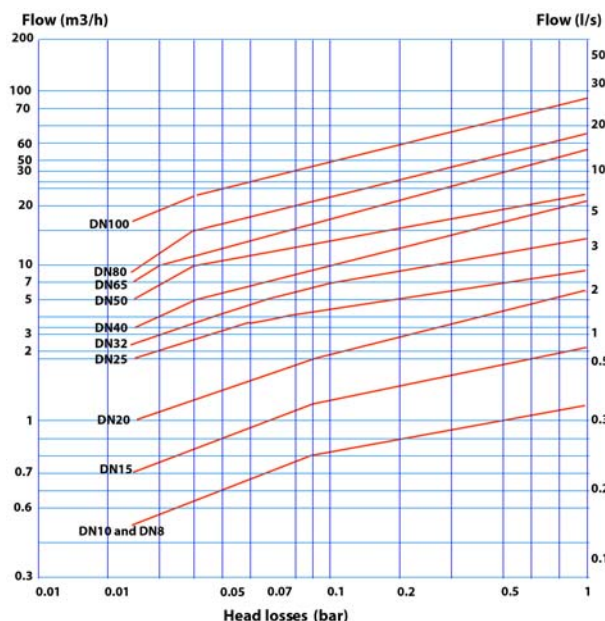
Vertical position (flow down) : 21 mbar.

Vertical position (flow upwardly):
DN8-25 : 25 mbar ; DN32 : 27 mbar ; DN40-50 : 29 mbar
DN65 : 31 mbar; DN80 : 32 mbar; DN100 : 33 mbar.

Horizontal position:
DN8-25 : 23 mbar; DN32 : 24 mbar; DN40-65 : 25 mbar;
DN80 : 26 mbar; DN100 : 27 mbar.

STANDARDS

BSP threaded cylindrical ends according to ISO 228-1.
Tests according to API 598, table 6.
Fabrication according to ISO 9001 : 2008.
Construction according to EN 12516-1.



TECOFI France - 83, Rue Marcel Mérieux 69960 Corbas - FRANCE
Tél. +33 (0) 4 72 79 05 79 - Fax +33 (0) 4 78 90 19 19 / +33 (0) 4 72 79 05 70
Adresses e-mail : sales@tecofi.fr ; tecofi@tecofi.fr / Site web : www.tecofi.fr