

THREADED NON RETURN AXIAL CHECK VALVE

TECHNICAL PASSPORT

AXIAL CHECK VALVE - BRASS BODY HEAVY SERIES

CA 1101

APPLICATION

Protection of installation against reverse flow.

Area of use: water distribution, HVAC, fuel pumping, domestic pumping, engineering, etc.



Fluids: hot water, cold water, fuel oil, oil, etc.



GENERAL CHARACTERISTICS

Range: from DN10 to DN100.

- Non return check valve with double axial and lateral guide
- Perfect centering of the disc on the seat.
- Mounting direction is indicated by an arrow on the body.
- Easy opening under low pressure.
- Excellent mechanical resistance.
- Closure guaranteed by stainless steel return spring.
- Sealing on high pressure and low pressure assured by a flat NBR gasket.
- Low head losses.
- Installation possible in any position
- Female / female BSP connection.

STANDARDS

Connection	Threaded female BSP cylindrical ends according to ISO 228/1
Tests	Pressure test according to standards EN 12266-1, DIN 3230, BS 5154 and ISO 5208.

PRODUCT APPROVALS



Tecofi France

83 rue Marcel Mérieux - 69960 Corbas
Tél. +33 (0)4 72 79 05 79 - Fax. +33 (0)4 78 90 19 19
E-mail : sales@tecofi.fr - www.tecofi.fr

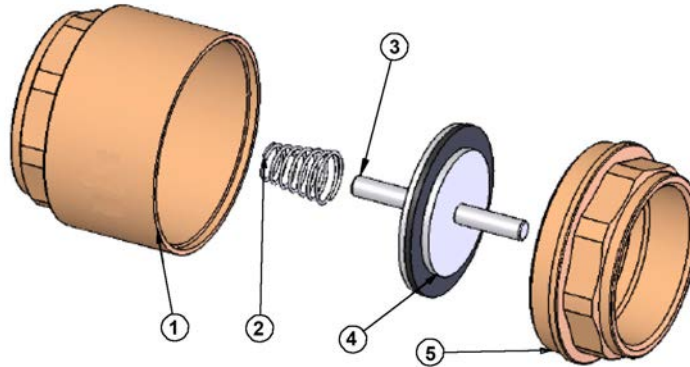


THREADED NON RETURN AXIAL CHECK VALVE

TECHNICAL PASSPORT

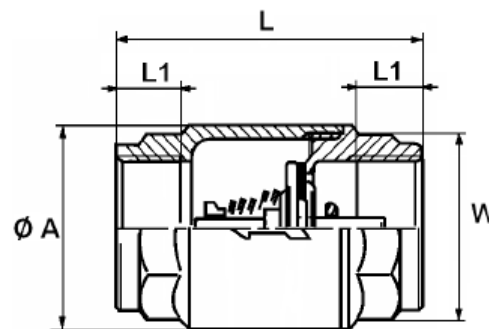
CA 1101

CONSTRUCTION



Pos.	Description	Material
1	Body	Brass CW 617 N according to EN 12165
2	Spring	Stainless steel 302
3	Disc	POM
4	Gasket	NBR
3	Bonnet	Brass CW 617 N according to EN 12165

DIMENSIONS



DN		Ø A	L	L1	W (on flat)	Weight (kg)
mm	inch					
10	3/8"	29	45	8	21	0,090
15	2"	30	48	11	25	0,105
20	3"	37	53	12	31	0,159
25	4"	44	59	13	38	0,240
32	5"	56	66	14	47	0,353
40	6"	63	71	15	54	0,465
50	8"	78	80	17	68	0,741
65	10"	103	93	18	84	1,291
80	12"	120	104	20	97	1,756
100	14"	155	119	22	121	2,982

Tecofi France

83 rue Marcel Mérieux - 69960 Corbas
Tél. +33 (0)4 72 79 05 79 - Fax. +33 (0)4 78 90 19 19
E-mail : sales@tecofi.fr - www.tecofi.fr

ISO 9001
ISO 14001
BUREAU VERITAS
Certification



THREADED NON RETURN AXIAL CHECK VALVE

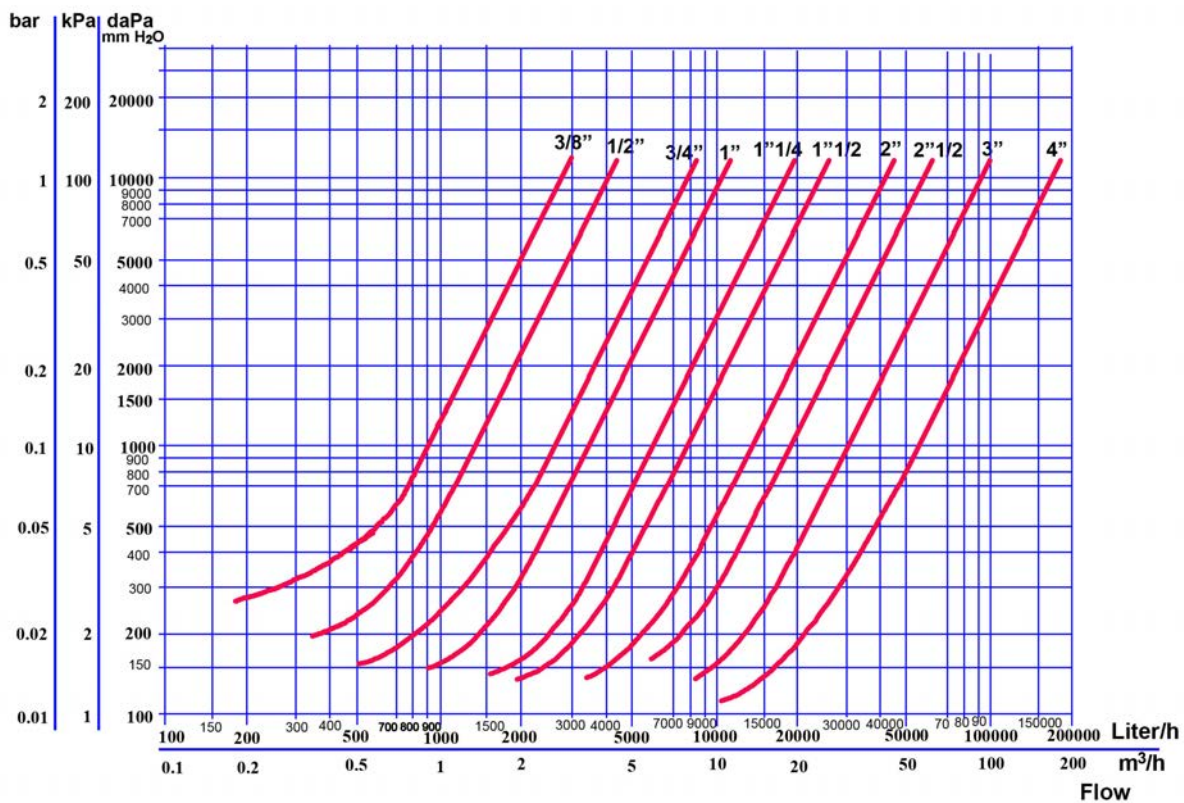
TECHNICAL PASSPORT

CA 1101

WORKING CONDITIONS

Maximum working pressure : 16 bar from DN3/8" to DN1"
10 bar from DN 1"1/4 to DN2"
8 bar from DN 2"1/2 to DN4"
Maximum working temperature : -10°C /+ 110°C

HEAD LOSS DIAGRAMM



FLOW FACTORS Kvs (m³/h)

DN	3/8"	1/2"	3/4"	1"	1"1/4	1"1/2	2"	2"1/2	3"	4"
Kvs (m ³ /h)	2.7	4	8	10.3	18	24	40	60	90	170

The cracking pressure is between 20 and 200 mbar

Tecofi France

83 rue Marcel Mérieux - 69960 Corbas
Tél. +33 (0)4 72 79 05 79 - Fax. +33 (0)4 78 90 19 19
E-mail : sales@tecofi.fr - www.tecofi.fr



DN5