

Ref. : C 6101.pas

Rev. : Initial

Date : 09/09/2016

Page : 1/1

SWITCH SENSOR

C 6101



APPLICATION

Construction machinery, machine tools, systems, monitoring and control, hydraulics and pneumatics, pumps and compressors ...

GENERAL CHARACTERISTICS

Stainless steel 316L sensor
Output signal: 4 ... 20mA
Non-linearity: 0.25% or 0.5% at choice
Power consumption (2 wires):
- Voltage: 8 ... 30 VDC
- Intensity: 25 mA
Electrical connection by angled connector with form A.
M12x1 connector, 2 meter cable.
Protection IP 65.

DIMENSIONS

G	L	L1	A	B	C	Weight (kg)
1/2"	61	14	48	28,5	27	0,08

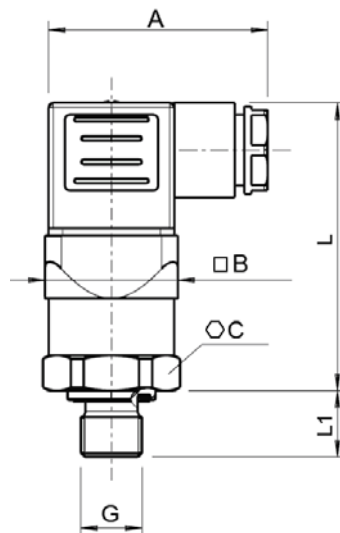
WORKING CONDITIONS

Pressure ranges: de 0... 1 bar à 0... 600 bar
(0... 1 // 0... 1.6 / 0... 2.5 // 0... 4 // 0... 6 // 0... 10 // 0... 16 // 0... 25 // 0... 40;
0... 60 // 0... 100 // 0... 160 // 0... 250 // 0... 400 // 0... 600)

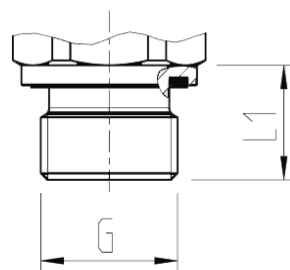
Permissible temperatures : 0°C / +80°C

STANDARDS

European Directive "Equipment under pressure" 97/23/EC.
Complies to Directive EMC: 2004/108EC, EN 61326
(group 1, class B)



Installation dimensions



G1/2" DIN3852-E

The photographs and technical art works are not contractual. The specifications of the presented products are open to modifications without previous advice.