

Ref.: BSMV1100FF pas

Rev. : Initial

Date : 19/09/2013

Page : 1/1

BRASS BALL VALVE

BSMV 1100FF



APPLICATION

General use : Water distribution

GENERALES CHARACTERISTICS

From DN1/4" to DN 1/2".
 Anti blow-out stem
 Solid ball
 O ring on stem
 Black aluminium handle



CONSTRUCTION

6	Handle	Aluminium
5	Gasket	NBR
4	Stem	Brass
3	Ball	Brass
2	Seat	PTFE
1	Body	Brass
Pos.	Description	Material

DIMENSIONS

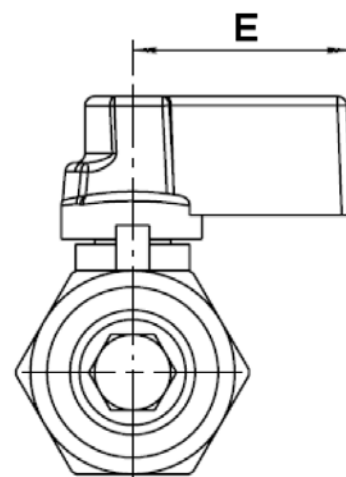
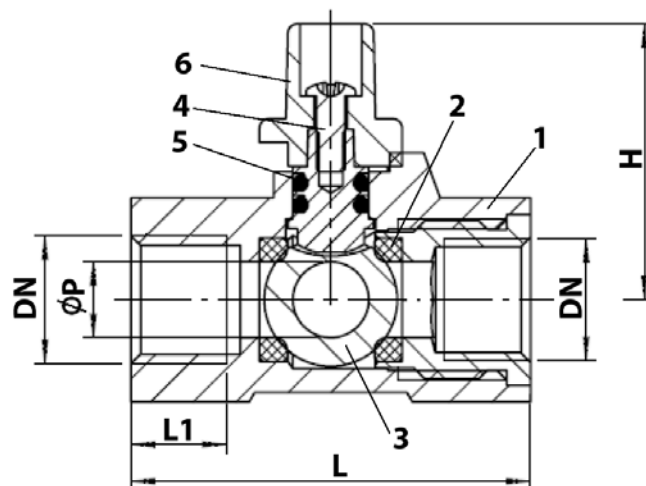
DN		L	L1	H	E	Weight (kg)
mm	inch					
8	1/4"	42	10	29	23	0,110
10	3/8"	42	10	29	23	0,097
15	1/2"	44,5	9	31	23	0,111

WORKING CONDITIONS

Maximum working temperature : -10°C / + 90°C
 Maximum working pressure : 16 bar

STANDARDS

Design according to ISO 9001 :2008
 DIRECTIVE 2014/68/UE.
 Threaded female BSP cylindrical ends according to ISO 228-1.



The photographs and technical art works are not contractual. The specifications of the presented products are open to modifications without previous advice.