

BALL VALVE

TECHNICAL PASSPORT

PVC-U BALL VALVE

BS 9540

APPLICATION

Area of use : Chemical, water treatment, petrochemical industries, hydraulic installation.



Fluids : water, acid-base fluids, acids et alkalis.

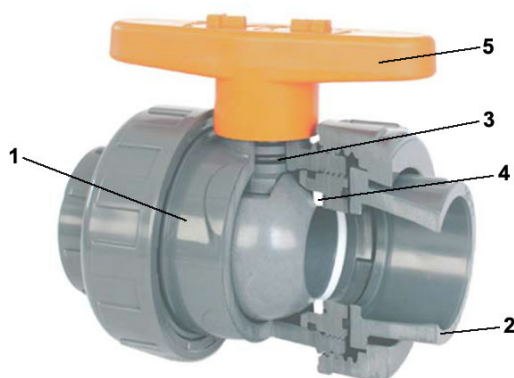
GENERAL CHARACTERISTICS

Range : from DN3/8" to DN 4".

- Full bore.
- 2 ways ball valve.
- PTFE seat seal ensures a long life.
- Manual operating (orange lever).
- Union connection with smooth female ends to be glued.



CONSTRUCTION



Rep.	Quantity	Description	Material
1	1	Body	PVC-U
2	1	End	PVC-U
3	1	O-ring	EPDM
4	2	Seal gasket	PTFE
5	1	Handle	ABS

PRODUCT APPROVALS



Tecofi France

83 rue Marcel Mérieux - 69960 Corbas
 Tél. +33 (0)4 72 79 05 79 - Fax. +33 (0)4 78 90 19 19
 E-mail : sales@tecofi.fr - www.tecofi.fr

ISO 9001
 ISO 14001
 BUREAU VERITAS
 Certification

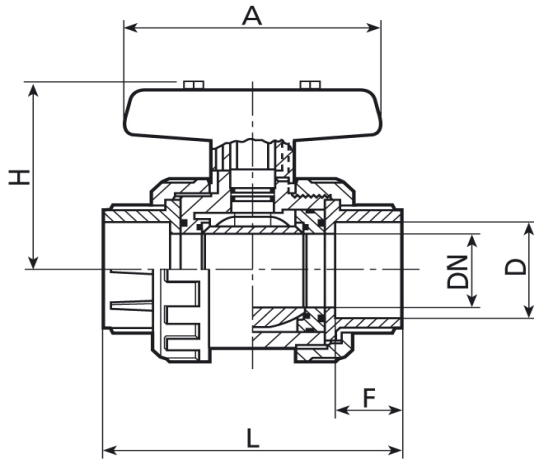


BALL VALVE

TECHNICAL PASSPORT

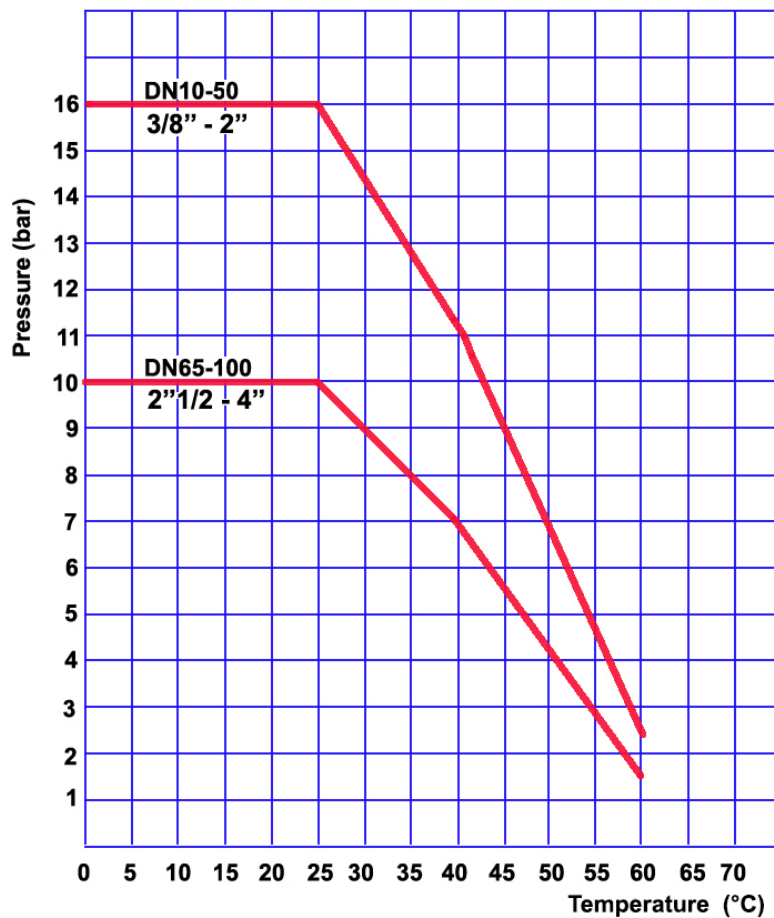
BS 9540

DIMENSIONS



DN		A	F	H	L	D	Weight (kg)
mm	inch						
10	3/8"	85	14	56	95	16	0.170
15	1/2"	85	16	56	95	20	0.166
20	3/4"	85	19	58	104	25	0.221
25	1"	99	22	68	116	32	0.330
32	1 1/4"	99	26	72	133	40	0.491
40	1 1/2"	128	31	89	149	50	0.834
50	2"	128	38	97	167	63	1.233
65	2 1/2"	184	44	129	225	75	2.749
80	3"	184	51	140	246	90	3.910
100	4"	275	61	174	309	110	7.510

WORKING CONDITIONS



Tecofi France

83 rue Marcel Mérieux - 69960 Corbas
 Tél. +33 (0)4 72 79 05 79 - Fax. +33 (0)4 78 90 19 19
 E-mail : sales@tecofi.fr - www.tecofi.fr

