

Ref. : BS6571. pas

Rev. : A

Date : 22/10/2019

Page : 1/1

FULL BORE 2 PIECES BALL VALVE PN63

BS 6571



Tecofi'Φ

VALVE DESIGNER - FRANCE

APPLICATION

General use : Chemical and pharmaceutical industries, petrochemical industries, hydraulic installation, compressed air.

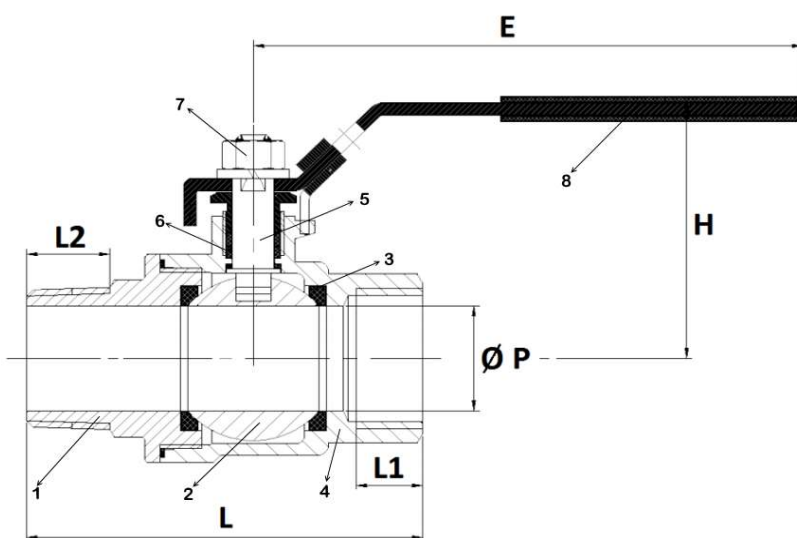
GENERAL CHARACTERISTICS

From DN1/4" to DN2"
Full bore
Anti blow-out stem
PTFE packing
Locking device
Solid ball
2 pieces type



CONSTRUCTION

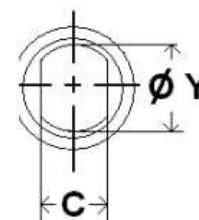
8	Handle	Stainless steel 304
7	Handle nut	Stainless steel 304
6	Packing	PTFE
5	Stem	Stainless steel 316
4	End	ASTM A351 CF8M
3	Seat	PTFE
2	Ball	Stainless steel 316
1	Body	ASTM A351 CF8M
Pos.	Description	Material



DIMENSIONS

DN		L	L1	L2	H	ØP	E	ØY	C	Weight (Kg)
mm	inch									
8	1/4"	56,5	10,5	11	43,5	10,8	103	8	5	0,18
10	3/8"	58,2	10,5	11,4	43,5	11,6	103	8	5	0,19
15	1/2"	69	13	15	49	15	103	8	5	0,26
20	3/4"	77,7	13,2	16,5	59,5	20	126	9,2	5,8	0,42
25	1"	90,5	15,2	19	63	25	126	9,2	5,8	0,63
32	1"1/4"	105,5	18	21,5	80	32	154	11	7	1,07
40	1"1/2"	114,2	18,3	21,5	84	38	154	11	7	1,48
50	2"	139,5	22,5	26	94	50	192	12,4	8	2,6

Stem size :



WORKING CONDITIONS

Maximum working temperature : - 20 °C / +180°C

Maximum working pressure : 63 bar from DN1/4" to DN3/4"
50 bar from DN1" to DN1"1/4
40 bar from DN1"1/2 to DN2"

STANDARDS

Fabrication according to ISO 9001 : 2008.
Tests according to ISO 5208, range A.
Threaded female BSP cylindrical ends according to ISO 228-1 and male BSP conical according to ISO 7-1 R.