

Ref. : BS 6379BW pas

Rev. : Initial

Date : 10/12/2014

Page : 1/1

3PIECES FULL BORE BALL VALVE PN63

BS 6379BW



APPLICATION

General use: Chemical and pharmaceutical industries, petrochemical industries.

GENERAL CHARACTERISTICS

From DN1/4" to DN 4".
Full bore
Anti blow-out stem
PTFE packing.
Locking device. Two parts seat for DN3/8".
Stem extension in SS 304 (option)
Blue handle cover possible.

CONSTRUCTION

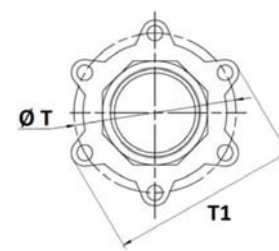
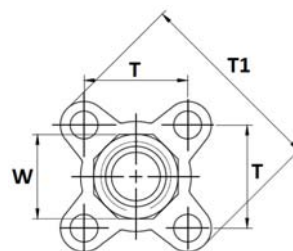
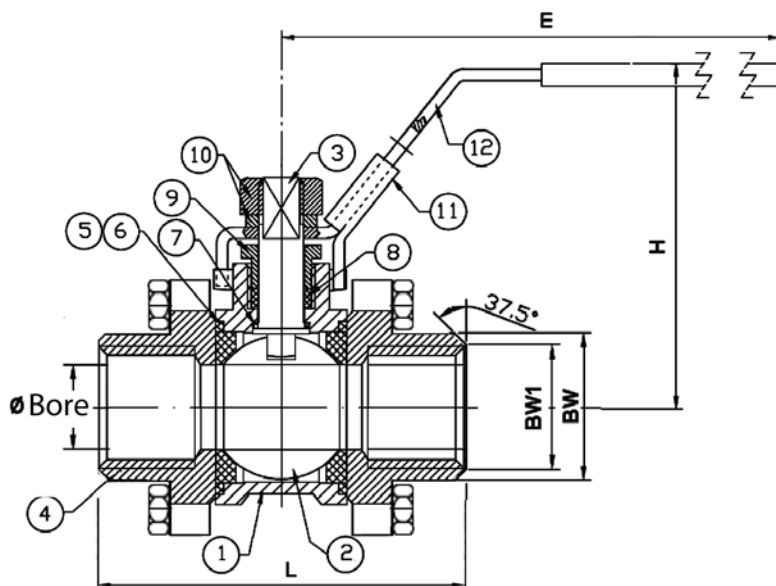
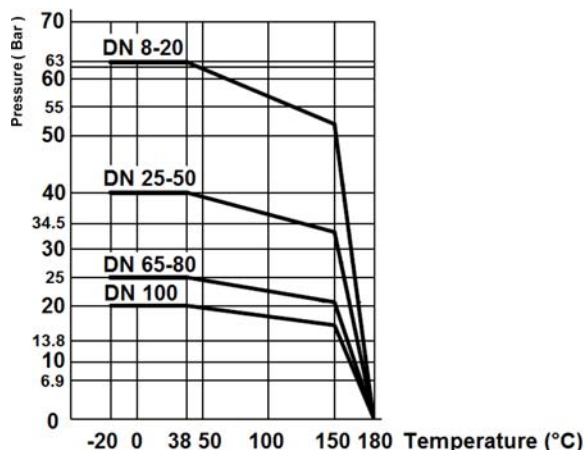
12	Handle	Stainless steel 304
11	Locking device	Stainless steel 304
10	Handle nut	Stainless steel 304
9	Packing nut	Stainless steel 304
8	Packing	PTFE
7	Thrust washer	PTFE
6	Body gasket	PTFE filled with 15% glass
5	Seat	PTFE filled with 15% glass
4	Ends	ASTM A351 CF8M
3	Stem	Stainless steel 316
2	Ball	ASTM A351 CF8M
1	Body	ASTM A351 CF8M
Pos.	Description	Material

DIMENSIONS

DN		L	Ø	E	H	T	T1	BW	BW1	Weight (kg)
mm	inch									
8	1/4"	60	9,2	136	52	27,2	51	14	12	0,33
10	3/8"	60	12,8	136	52	27,2	51	17,5	14,5	0,33
15	1/2"	63	15	136	63	31,8	59,5	22	17	0,49
20	3/4"	70	20	136	68	40	71	27,5	22,5	0,64
25	1"	82	25	165	79	45	80	34	28,6	0,96
32	1 1/4"	96	32	165	88	53	91,5	43	36	1,37
40	1 1/2"	107	38	190	97	63,3	106	49	43	2,20
50	2"	124	50	190	108	78,8	132,8	61	54	3,75
65	2 1/2"	162,6	65	300	128	98,3	164	76,5	68	6,85
80	3"	180,7	80	300	140	116,6	194	90	84	10,20
100	4"	221,7	100	335	172	200,5	231,5	115	104	20,50

WORKING CONDITIONS

Maximum working temperature : -20°C / + 180°C
Maximum pressure depends on DN



STANDARDS

Fabrication according to ISO 9001: 2008.
Pressure tests according to EN 12266-1, range A.
Connection BW.

TECOFI France - 83, Rue Marcel Mérieux 69960 Corbas - FRANCE
Tél. +33 (0) 4 72 79 05 79 - Fax +33 (0) 4 78 90 19 19 / +33 (0) 4 72 79 05 70
Adresses e-mail : sales@tecofi.fr ; tecofi@tecofi.fr / Site web : www.tecofi.fr