

Ref. : BS 6375I

Rev. : Initial

Date : 09/04/2018

Page : 1/1

# FIRE SAFE 3 PIECES FULL BORE STAINLESS STEEL BALL VALVE PN63 WITH HANDLE

**BS 6375I**



## APPLICATION

General use : Chemical and pharmaceutical industries, petrochemical industries, hydraulic installation, compressed air.

## GENERAL CHARACTERISTICS

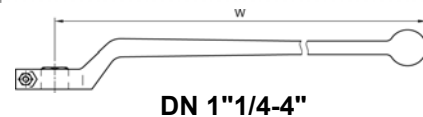
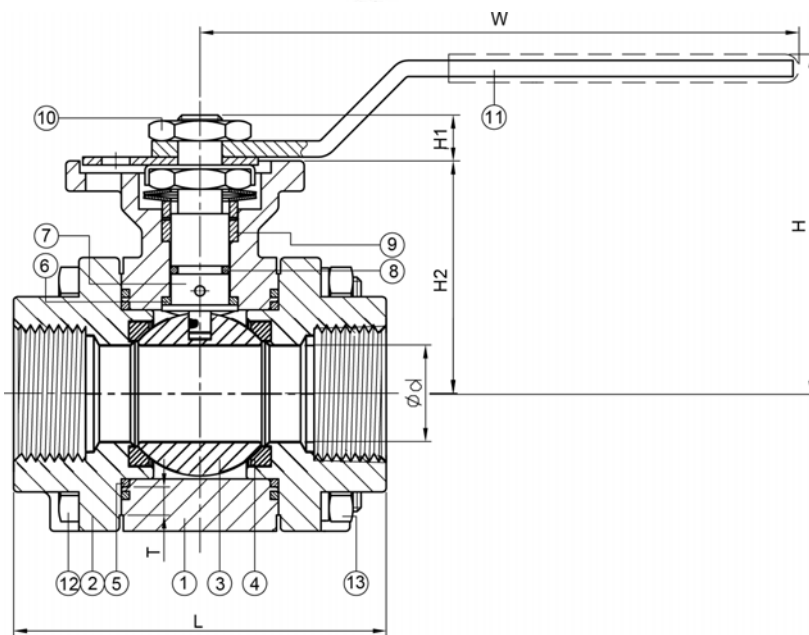
Full bore, anti blow-out stem  
3 pieces type.  
With ISO plate for actuator installation

## CONSTRUCTION

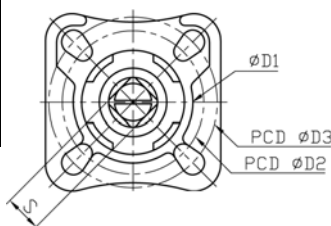
13	Nut	Stainless steel
12	Bolt	Stainless steel 304
11	Handle	Stainless steel
10	Nut	Stainless steel 304
9	Packing	Graphite
8	O-ring	Viton
7	Stem	Cast steel ASTM A276-316
6	Thrust washer	CTFE
5	Seal	Graphite
4	Seat	RTFE
3	Ball	Stainless steel A351 CF8M
2	External body	Stainless steel A351 CF8M
1	Internal body	Stainless steel A351 CF8M
<b>Pos.</b>	<b>Description</b>	<b>Material</b>

## DIMENSIONS

DN		d	L	H	H1	H2	W	T	Weight (kg)
mm	inch								
8	1/4"	8	65,7	57	12,1	9,8	113,5	2,6	0,7
10	3/8"	10	65,7	57	12,1	9,8	113,5	2,6	0,7
15	1/2"	15	75	64	8,5	43	114,5	5	0,9
20	3/4"	20	80	67	9	46	114,5	6	1,2
25	1"	24	93	80,9	11	58	140	7	2,3
32	1" 1/4	30	110	85,7	11	62,8	190	7,5	3,6
40	1" 1/2	38	120	105,5	14	74,5	235	7,5	5,1
50	2"	50	140	112,5	14	82	235	8	7,6
65	2" 1/2	65	184,2	146,8	17	96,5	340	11	10,9
80	3"	75	204	158,9	17	108,6	340	7,5	16,3
100	4"	96	240	184	22	131	340	8,5	26



**DN 1"1/4-4"**



## WORKING CONDITIONS

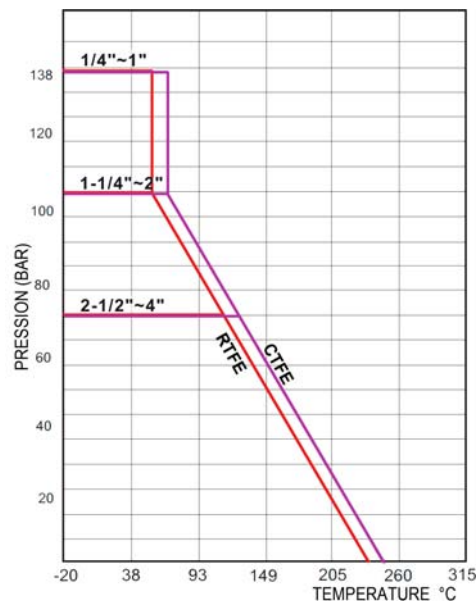
Maximum working pressure : 1/4" - 1" : 137.9 bar  
 1"1/4 - 2" : 103.4 bar  
 2"1/2 - 4" : 68.9 bar  
 Maximum working temperature: -20°C / +200°C.

Test pressure according to EN 12266-1,  
 DIN 3230, BS 5154 and ISO 5208 :  
 Body : Working pressure x 1.5 (bar)  
 Seat : Working pressure x 1.1 (bar)

## STANDARDS

BSP connection according to ISO 228-1.  
 Fire safe according to API 607.  
 Complies with the European directive  
 2014/34/EU (ATEX)

DN		S	D1	D2	D3	Couple Nm
mm	inch					
8	1/4"	5,7	36	-	-	3,8
10	3/8"	5,7	36	-	-	3,8
15	1/2"	9	31	36	42	3,6
20	3/4"	9	31	36	42	5,1
25	1"	11	35,5	42	50	7,7
32	1" 1/4	11	35,5	42	50	13,1
40	1" 1/2	14	56	50	70	15,7
50	2"	14	56	50	70	24,4
65	2" 1/2	17	76	70	102	44,5
80	3"	17	76	70	102	87,3
100	4"	22	100	102	125	90,2



**TECOFI France** - 83, Rue Marcel Mérieux 69960 Corbas - FRANCE  
 Tél. +33 (0) 4 72 79 05 79 - Fax +33 (0) 4 78 90 19 19 / +33 (0) 4 72 79 05 70  
 Adresses e-mail : sales@tecofi.fr ; tecofi@tecofi.fr / Site web : [www.tecofi.fr](http://www.tecofi.fr)