

Ref. : BS 6261 pas

Rev. : Initial

Date : 11/03/2014

Page : 1/1

FLANGED TYPE FULL BORE 2 PIECES BALL VALVE

BS 6261



APPLICATION

General use : Chemical industries, petrochemical industries, hydraulic installation, compressed air, heating and water distribution

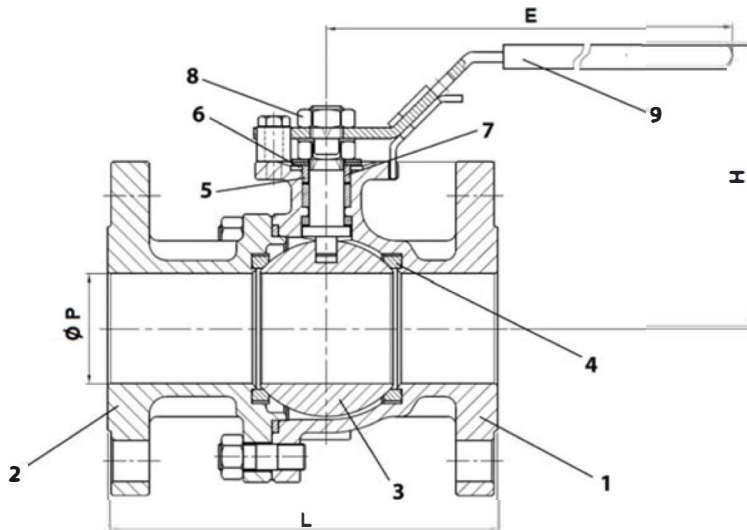
GENERAL CHARACTERISTICS

- From DN15 to DN200.
- Full bore.
- Anti blow-out stem.
- Double antistatic device.
- PTFE filled with glass seat.
- Locking device.
- ISO 5211 mounting pad.
- 2 pieces type (Split body).
- Hollowed ball from DN125 to DN200.



CONSTRUCTION

Pos.	Q-ty	Description	Material
9	1	Handle	SS 304
8	1	Nut	SS 304
7	1	Stem	SS ASTM A276 316
6	1	Packing gland	SS 304
5	1	Packing	Graphit
4	1	Seat	PTFE filled with glass
3	1	Ball	SS ASTM A351 CF8M
2	1	End	SS ASTM A351 CF8M
1	1	Body	SS ASTM A351 CF8M



DIMENSIONS

DN		L	E	ØP	H	Weight (kg)
mm	inch					
15	1/2"	115	158	15	75.6	2.3
20	3/4"	120	158	20	78.1	3
25	1"	125	196	24	92	4
32	1" 1/4	130	196	30	96	5.5
40	1" 1/2	140	245	38	109.1	7
50	2"	150	261	50	115.6	9.3
65	2" 1/2	170	400	64	188	14.4
80	3"	180	400	76	194	17.5
100	4"	190	400	98	215	23.3
125	5"	325	743	125	239.5	36.7
150	6"	350	743	150	256.5	52
200	8"	400	925	200	323.5	78

WORKING CONDITIONS

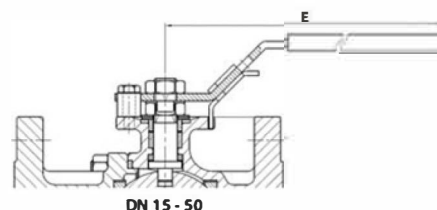
Maximum pressure : 40 bar from DN15 to DN50
16 bar up to DN200.
Maximum temperature : - 20°C / +200 °C

Pressure tests according to API 598, table 6.

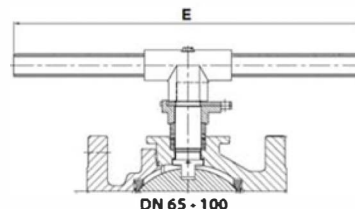
STANDARDS

Fabrication according to ISO 9001 : 2008.
Construction according to EN 12516-1
ISO PN16 R.F. flanges according to EN 1092-1 PN16
Face to face according to EN 558 series 27 (DIN 3202 F4/F5)

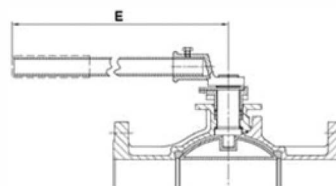
Handle types



DN 15 - 50



DN 65 - 100



DN 125 - 200

TECOFI France - 83, Rue Marcel Mérieux 69960 Corbas - FRANCE
Tél. +33 (0) 4 72 79 05 79 - Fax +33 (0) 4 78 90 19 19 / +33 (0) 4 72 79 05 70
Adresses e-mail : sales@tecofi.fr ; tecofi@tecofi.fr / Site web : www.tecofi.fr