

BALL VALVE

TECHNICAL PASSPORT

FLANGED PN16 STAINLESS STEEL BALL VALVE WITH ISO 5211 MOUNTING PLATE

BS 6245

APPLICATION

Area of use : Chemical and pharmaceutical industries, petrochemical industries, hydraulic installation.

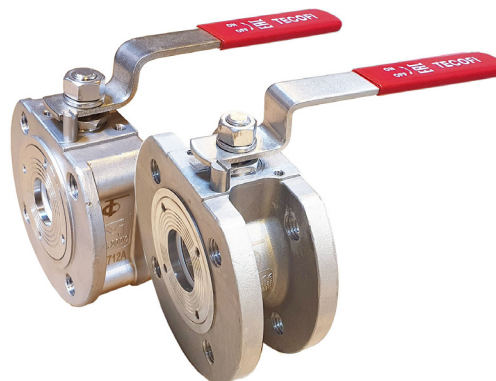


- **Fluids :** compressed air, steam.

GENERAL CHARACTERISTICS

Range : from DN15 to DN150.

- Full bore.
- Anti blow-out stem.
- Food grade PTFE seal charged 15% glass
- PTFE packing.
- Threaded mounting holes
- Hollow body.
- With ISO 5211 mounting plate.



WORKING CONDITIONS

Maximum working pressure : 16 bar
Maximum working temperature : -20°C / +200°C.

STANDARDS

Face to face	Face to face in accordance with standard EN558 serie 100
Connection	RF flanges according to EN1092-1 PN16
Tests	Test pressure according to EN12266-1, DIN 3230 and ISO 5208. - Body : 24 bar - Seat : 17.6 bar

PRODUCT APPROVALS



Tecofi France

83 rue Marcel Mérieux - 69960 Corbas
Tél. +33 (0)4 72 79 05 79 - Fax. +33 (0)4 78 90 19 19
E-mail : sales@tecofi.fr - www.tecofi.fr

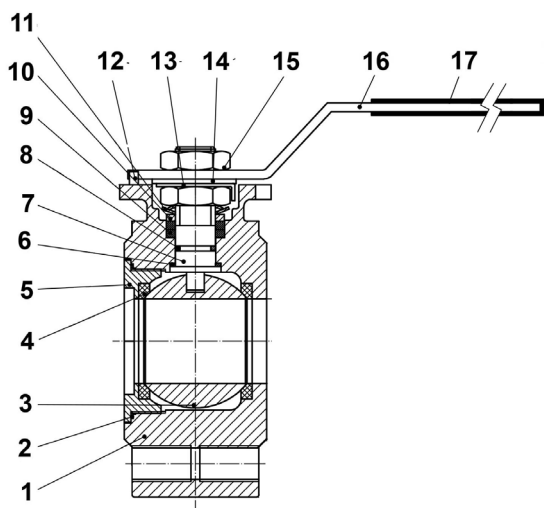


BALL VALVE

TECHNICAL PASSPORT

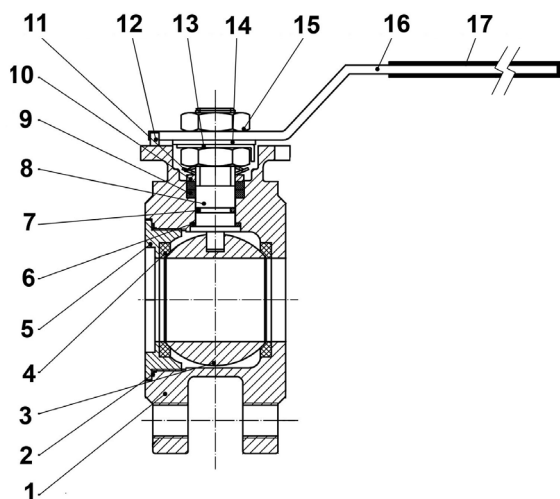
BS 6245

CONSTRUCTION DN15-25



Pos.	Q-ty	Description	Material
1	1	Body	Stainless steel CF8M
2	1	Body gasket	PTFE
3	1	Ball	Stainless steel CF8M
4	2	Seal gasket	PTFE + 15% Graphite
5	1	Retaining ring	Stainless steel CF8M
6	1	Bearing	PTFE
7	1	O ring	Viton®
8	1	Stem	Stainless steel 316
9	2	Gland packing	PTFE
10	1	Stem ring	Stainless steel 304
11	2	Washer	Stainless steel 304
12	1	Lock washer	Stainless steel 304
13	1	Antistatic device	Stainless steel 301
14	1	Washer	Stainless steel 304
15	1	Stem nut	Stainless steel 304
16	2	Level	Stainless steel 304
17	1	Sheath	Plastic

CONSTRUCTION DN32-100



Pos.	Q-ty	Description	Material
1	1	Body	Stainless steel CF8M
2	1	Body gasket	PTFE
3	1	Ball	Stainless steel CF8M
4	2	Seal gasket	PTFE + 15% Graphite
5	1	Retaining ring	Stainless steel CF8M
6	1	Bearing	PTFE
7	1	O ring	Viton®
8	1	Stem	Stainless steel 316
9	2	Gland packing	PTFE
10	1	Stem ring	Stainless steel 304
11	2	Washer	Stainless steel 304
12	1	Lock washer	Stainless steel 304
13	1	Antistatic device	Stainless steel 301
14	1	Washer	Stainless steel 304
15	1	Stem nut	Stainless steel 304
16	2	Level	Stainless steel 304
17	1	Sheath	Plastic

Tecofi France

83 rue Marcel Mérioux - 69960 Corbas
 Tél. +33 (0)4 72 79 05 79 - Fax. +33 (0)4 78 90 19 19
 E-mail : sales@tecofi.fr - www.tecofi.fr

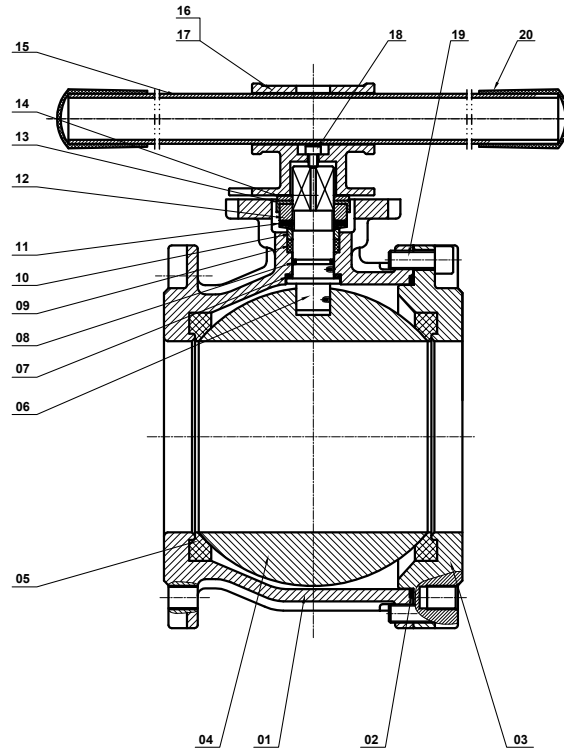


BALL VALVE

TECHNICAL PASSPORT

BS 6245

CONSTRUCTION DN125-150



Pos.	Q-ty	Description	Material
1	1	Body	Stainless steel CF8M
2	1	Body gasket	PTFE
3	1	Cap	Stainless steel CF8M
4	1	Ball	Stainless steel 316
5	1	Seat	RPTFE
6	1	Stem	Stainless steel 316
7	1	Thrust washer	PTFE
8	1	O ring	Viton®
9	1	Gland packing	PTFE
10	1	Ring	Stainless steel 304
11	1	Washer	Stainless steel 301
12	1	Nut	Stainless steel 304
13	1	Nut stopper	Stainless steel 304
14	1	Plate washer	Stainless steel 304
15	1	Lock device	Stainless steel 304
16	1	Handle	Galvanized pipe
17	1	Handle head	Stainless steel 304
18	2	Jackscrew	Stainless steel 304
19	8	Bolt	Stainless steel 304
20	2	Cover	Plastic
21	2	Stop Pin	Stainless steel 304

Tecofi France

83 rue Marcel Mérieux - 69960 Corbas
 Tél. +33 (0)4 72 79 05 79 - Fax. +33 (0)4 78 90 19 19
 E-mail : sales@tecofi.fr - www.tecofi.fr

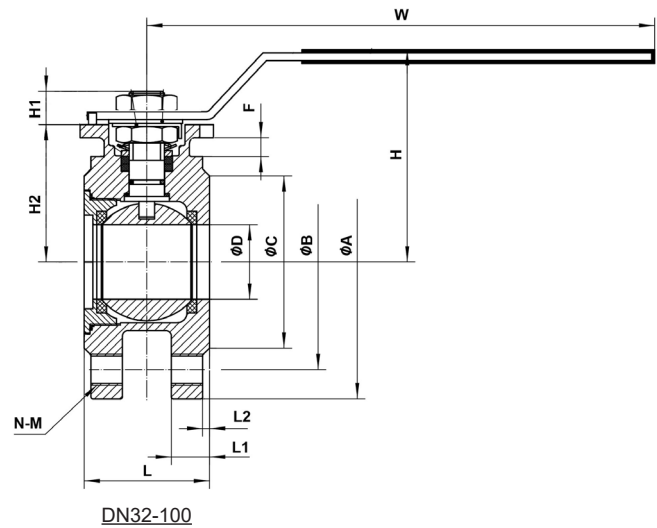
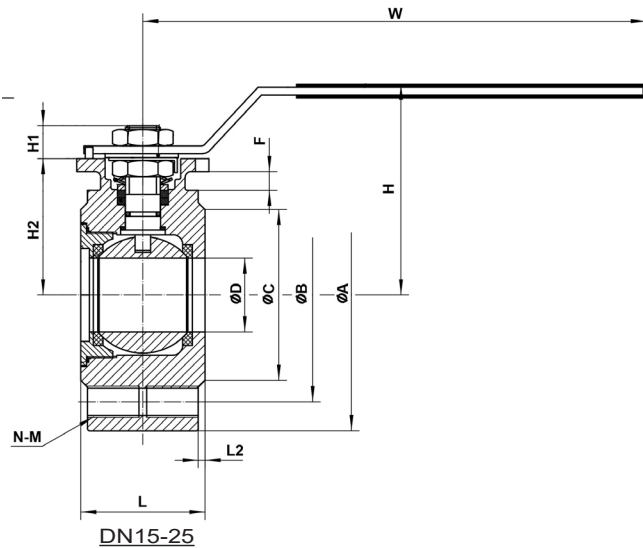


BALL VALVE

TECHNICAL PASSPORT

BS 6245

DIMENSIONS



DN		ØD	ØC	ØB	ØA	L	H	H2	H1	W	L1	L2	N-M	F	Mounting plate ISO 5211				Operating torque (Nm)	Weight (kg)
mm	inch														ISO	K	Y-ØZ	E		
15	1/2"	15	45	65	95	35	75	49.5	9	125.2	-	2	4-M12	12	F03	36	4-5	9	7	1.2
20	3/4"	20	58	75	105	39	80	55.5	9	125.2	-	2	4-M12	14	F03	36	4-5	9	9	1.4
25	1"	25	68	85	115	44	95	65	11	136.2	18	2	4-M12	17	F04	42	4-6.4	11	13	1.9
32	1 1/4"	32	78	100	140	52	101.5	71.5	11	136.2	18	2	4-M16	17	F04	42	4-6.4	11	19	2.9
40	1 1/2"	38	88	110	150	64	122.5	78	14	204.5	18	2	4-M16	17	F05	50	4-7	14	27	4.4
50	2"	50	102	125	165	83	121.5	86	14	204.5	18	2	4-M16	21	F05	50	4-7	14	40	5.6
65	2 1/2"	65	122	145	185	105	142	101	18	250	18	2	4-M16	18	F07	70	4-9	17	60	9.9
80	3"	76	138	160	200	121	161	117	18	250	20	3	8-M16	20	F07	70	4-9	17	85	12.6
100	4"	94	162	180	220	152	174	130	20.5	320	20	3	8-M16	20	F10	102	4-11	17	150	19.7

The photographs and technical art works are not contractual. The specifications of the presented products are open to modifications without previous advice.

Tecofi France

83 rue Marcel Mérieux - 69960 Corbas
 Tél. +33 (0)4 72 79 05 79 - Fax. +33 (0)4 78 90 19 19
 E-mail : sales@tecofi.fr - www.tecofi.fr

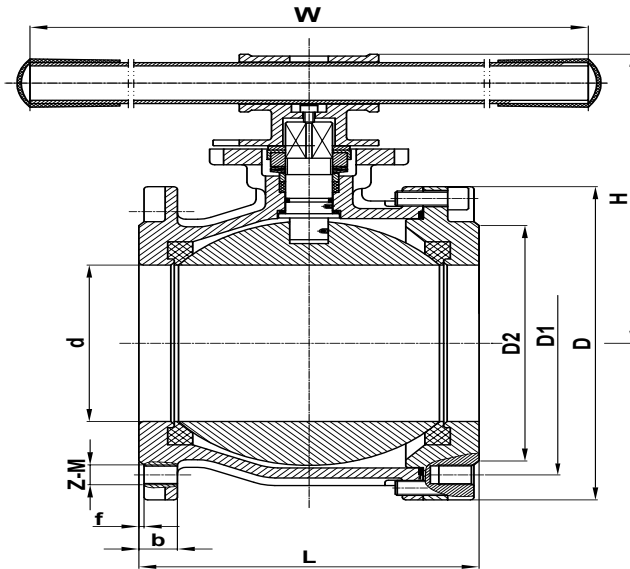


BALL VALVE

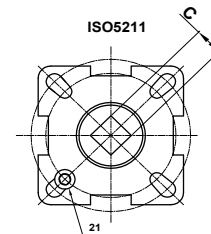
TECHNICAL PASSPORT

BS 6245

DIMENSIONS



DN125-150



Embase ISO 5211

DN		d	L	ØD	ØD1	ØD2	b	f	H	W	Z-M	Mounting plate ISO 5211		Operating torque (Nm)	Weight (kg)
mm	inch											ISO	C		
125	5"	125	196	250	210	188	22	3	228	600	8-M16	F10	22	190	38.5
150	6"	150	236	285	240	212	22	3	246	600	8-M20	F12	22	300	43.6

The photographs and technical art works are not contractual. The specifications of the presented products are open to modifications without previous advice.

Tecofi France

83 rue Marcel Mérieux - 69960 Corbas
 Tél. +33 (0)4 72 79 05 79 - Fax. +33 (0)4 78 90 19 19
 E-mail : sales@tecofi.fr - www.tecofi.fr

