

THREADED BALL VALVE

TECHNICAL PASSPORT

**2 PIECES STAINLESS STEEL
BSP THREADED BALL VALVE
FULL BORE**

BS 6175BSP



APPLICATION

Area of use: Chemical and pharmaceutical industries petro-chemical industries, hydraulic installations.



Fluids: water, steam, oil, compatible liquid products.

GENERAL CHARACTERISTICS

Range: DN1/4" to DN4".

- Full bore
- Anti blow-out stem.
- Locking device
- PTFE food seal in accordance with standard FDA n° 21 CFR 177.1550



STANDARDS

Connection	BSP according to ISO 228-1
Test	Pressure tests according to EN12266-1, DIN 3230 and ISO 5208. - Body : PS x 1.5 (bar) - Seat : PS x 1.1 (bar)

PRODUCT APPROVALS



Tecofi France

83 rue Marcel Mérieux - 69960 Corbas
Tél. +33 (0)4 72 79 05 79 - Fax. +33 (0)4 78 90 19 19
E-mail : sales@tecofi.fr - www.tecofi.fr



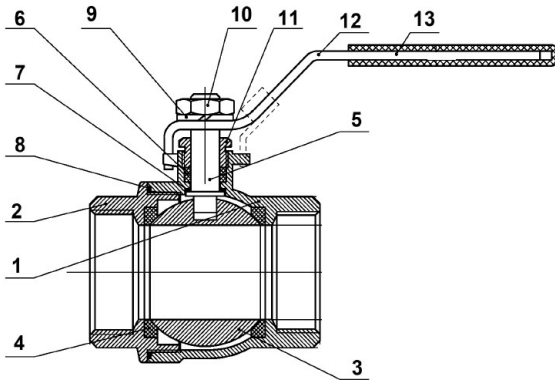
THREADED BALL VALVE

TECHNICAL PASSPORT

BS 6175BSP

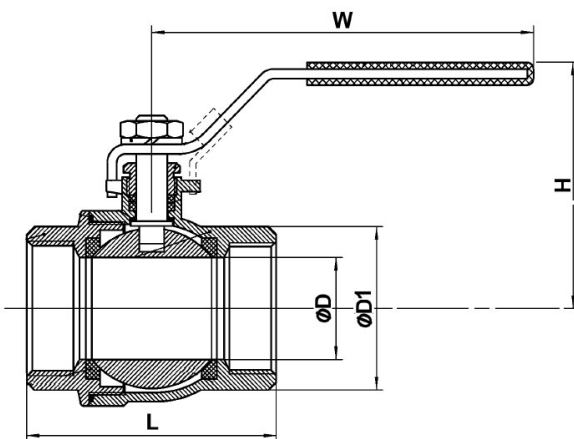


CONSTRUCTION



Pos.	Description	Material
1	Body	Stainless steel CF8M
2	End cap	Stainless steel CF8M
3	Ball	Stainless steel CF8M
4	Seat	PTFE
5	Stem	Stainless steel 316
6	Packing	PTFE
7	Stem washer	PTFE
8	Gasket	PTFE
9	Thrust washer	Stainless steel 304
10	Stem nut	Stainless steel 304
11	Packing nut	Stainless steel 304
12	Handle	Stainless steel 304
13	Sleeve	Plastic

DIMENSIONS

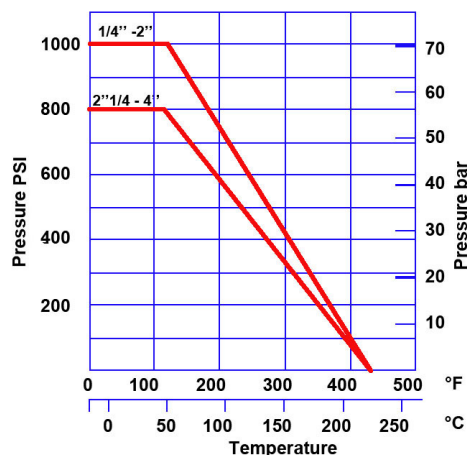


DN		L	L1	H	ØD	ØD1	W	Weight (kg)
mm	inch							
8	1/4"	36	10	41	9.2	18	78	0.25
10	3/8"	42	10	46	12.5	21	78	0.2
15	1/2"	48	14	50	15	25	87	0.2
20	3/4"	58	14	57	20	31	97	0.3
25	1"	69	15	68	25	38	123	0.5
32	1 1/4"	80	15	77	32	47	123	0.8
40	1 1/2"	91	18	85	38	53	152	1.1
50	2"	109	22	94	50	66	152	1.5
65	2 1/2"	139	25	126	65	83	215	3.6
80	3"	157	32	138	80	98	215	5.5
100	4"	200	-	163	100	126	305	9.3

WORKING CONDITIONS

Maximum working pressure : 1/4" - 2" : 63 bar
2 1/2" - 4" : 50 bar

Maximum working temperature: -20°C / +200°C.



Tecofi France

83 rue Marcel Mérieux - 69960 Corbas
Tél. +33 (0)4 72 79 05 79 - Fax. +33 (0)4 78 90 19 19
E-mail : sales@tecofi.fr - www.tecofi.fr

