

Ref. : BS 6162L pas

Rev. : Initial

Date : 27/09/2016

Page : 1/1

# STANDARD BORE ONE-PIECE BALL VALVE 3 WAYS L-PORT

## BS 6162L



**Tecofi**  
VALVE DESIGNER - FRANCE



### APPLICATION

General use: Industry, construction (all compatible fluids).

### GENERAL CHARACTERISTICS

Range from DN1/4" to DN2".  
Standard bore, with ISO 5211 mounting plate .  
3 ways, L port.  
Anti blow-out stem.  
Locking device.  
Solid ball.  
One-piece type.

### CONSTRUCTION

9	Handle	Stainless steel 304
8	Handle coating	PVC
7	Handle washer	Stainless steel 304
6	Nut	Stainless steel 304
5	Stem bushing	PTFE
4	Seat	PTFE 15% glass fiber
3	Stem	ASTM A276 - 316
2	Ball	Stainless steel ASTM A351 CF8M
1	Body	Stainless steel ASTM A351 CF8M
<b>Pos.</b>	<b>Description</b>	<b>Material</b>

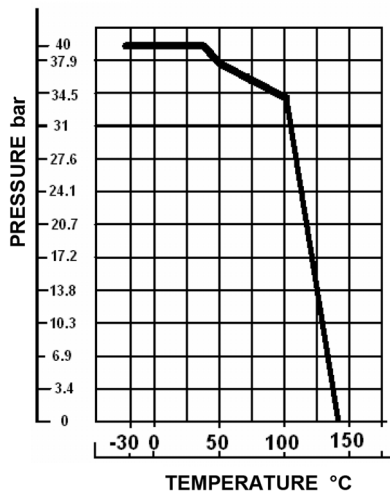
### DIMENSIONS

DN		d	L	H	W	M	N	A	B	C	E	Tv* (Nm)	Kv (m3/h)	Poids (kg)
mm	inch													
8	1/4"	11	69	58	106	42	M5*8	9	12	6	11	3	3,48	0,82
10	3/8"	11	69	58	106	42	M5*8	9	12	6	11	3	3,55	0,77
15	1/2"	12,7	75	61	138	42	M5*8	9	12	6	11	5	4,8	0,78
20	3/4"	16	86	74	138	50	M6*1	11	15	6	13	10	8,25	1,18
25	1"	20	101	81	162	50	M6*1	11	15	7,5	19	24	13,45	2,86
32	1 1/4"	25	115	88	162	50	M6*1	11	15	7,5	19	35	21,5	2,81
40	1 1/2"	32	125	104	220	70	M8*1,25	11	15	8,5	23,5	35	36	3,95
50	2"	38,1	149	110	220	70	M8*1,25	14	18,5	8,5	24,5	50	53,5	6,76

\* Tv: Torque value

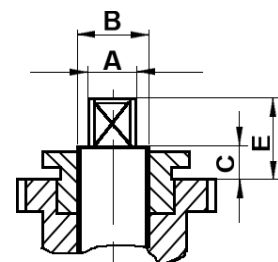
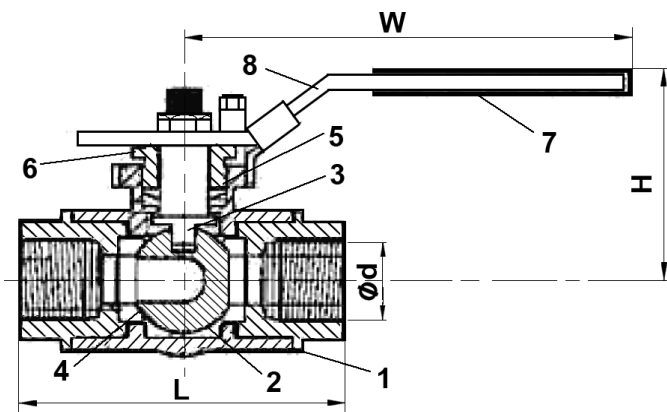
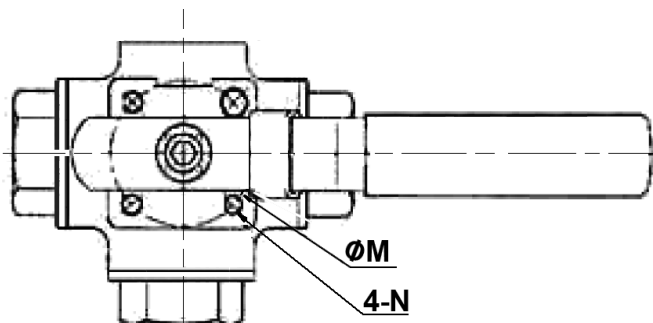
### WORKING CONDITIONS

Maximum pressure : 40 bar at 40°C  
Maximum working temperature : -20°C / + 140°C



### STANDARDS

BSP female/female/female connection according to ISO 228.1.



### Passage possibilities

Type	1	2	3	4
L				

TECOFI France - 83, Rue Marcel Mérieux 69960 Corbas - FRANCE  
Tél. +33 (0) 4 72 79 05 79 - Fax +33 (0) 4 78 90 19 19 / +33 (0) 4 72 79 05 70  
Adresses e-mail : sales@tecofi.fr ; tecofi@tecofi.fr / Site web : www.tecofi.fr