

Ref. : BS 5378NPT pas

Rev. : Initial

Date : 18/09/2013

Page : 1/1

# 3PIECES FULL BORE BALL VALVE PN100

## BS 5378NPT



**Tecofi**  
VALVE DESIGNER - FRANCE

### APPLICATION

General use : Chemical and pharmaceutical industries, petrochemical industries, hydraulic installation, compressed air

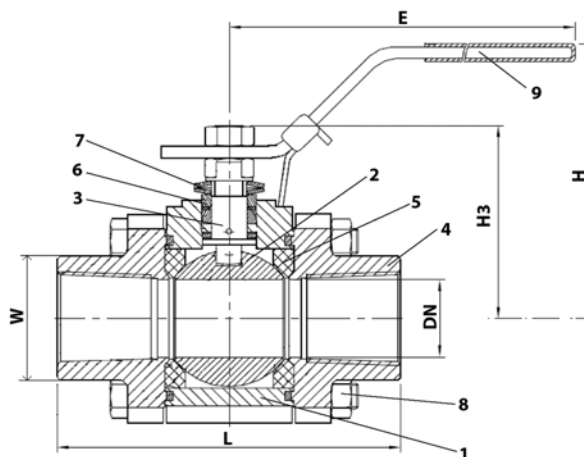
### GENERAL CHARACTERISTICS

- From DN1/4" to DN 2".
- Full bore
- Anti blow-out stem
- Special gland pack with elastic washer
- Antistatic device
- Fire safe according to API 607
- Locking device
- Handwheel and stem extension ( optional )
- ISO 5211 mounting pad
- Fully encapsulated bolts
- Pressure class 600 lbs



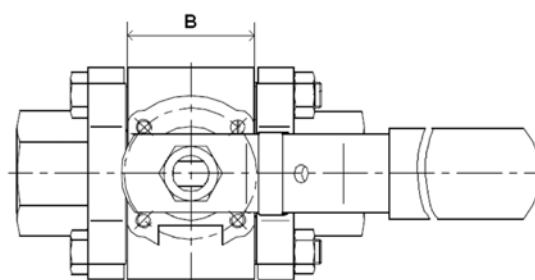
### CONSTRUCTION

9	Handle	Stainless steel 304
8	Tie rod packing	Stainless steel 304
7	Packing nut	Stainless steel 304
6	Packing	Graphit
5	Seat	PTFE with 15% Glass Fiber
4	Ends	ASTM A216 WCB
3	Stem	Stainless steel 316
2	Ball	ASTM A351 CF8M
1	Body	ASTM A216 WCB
<b>Pos.</b>	<b>Description</b>	<b>Material</b>



### DIMENSIONS

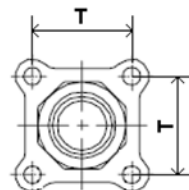
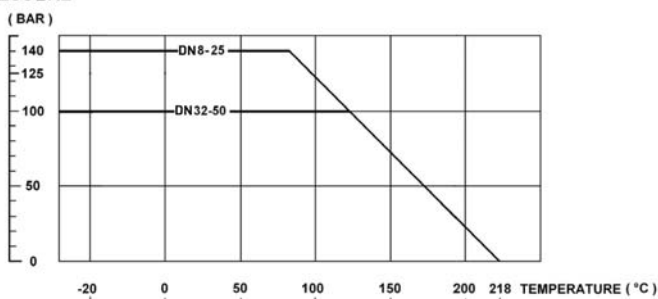
DN		L	B	E	H	H3	T	W	Weight (kg)
mm	inch								
8	1/4"	64,8	19,6	134	64	37,2	32	29,5	0,70
10	3/8"	64,8	19,6	134	64	37,2	32	29,5	0,70
15	1/2"	72,5	24	134	72	45,1	39	30	0,85
20	3/4"	85,4	31	134	77	51,4	45	36	1,37
25	1"	105,3	40,7	170	83	61,2	50	44,5	2,00
32	1 1/4"	111	47,7	170	88	64,2	58	54	2,78
40	1 1/2"	127,3	55,6	207	104	79	68	60	4,08
50	2"	145	70	215	133	99,4	82	73,2	6,80



### WORKING CONDITIONS

Steam : 12 bar maximum  
 Maximum working temperature : -20°C / + 218°C  
 Maximum working pressure : 100 to 140 bar following the DN

### PRESSURE



### STANDARDS

Threaded female / female NPT ends according to ANSI B1.20.1

**TECOFI France** - 83, Rue Marcel Mérieux 69960 Corbas - FRANCE  
 Tél. +33 (0) 4 72 79 05 79 - Fax +33 (0) 4 78 90 19 19 / +33 (0) 4 72 79 05 70  
 Adresses e-mail : sales@tecofi.fr ; tecofi@tecofi.fr / Site web : [www.tecofi.fr](http://www.tecofi.fr)