

Ref. : BS 5378BW pas

Rev. : Initial

Date : 19/09/2013

Page : 1/1

3PIECES FULL BORE BALL VALVE PN100

BS 5378BW



Tecofi
VALVE DESIGNER - FRANCE

APPLICATION

General use : Chemical and pharmaceutical industries, petrochemical industries, hydraulic installation, compressed air

GENERAL CHARACTERISTICS

From DN1/4" to DN 2".
Full bore
Anti blow-out stem
Special gland pack with elastic washer
Antistatic device
Fire safe according to API 607
Locking device
Handwheel and stem extension (optional)
ISO 5211 mounting pad
Fully encapsulated bolts
Pressure class 600 lbs



CONSTRUCTION

9	Handle	Stainless steel 304
8	Tie rod packing	Stainless steel 304
7	Packing nut	Stainless steel 304
6	Packing	Graphit
5	Seat	PTFE with 15% Glass Fiber
4	Ends	ASTM A216 WCB
3	Stem	Stainless steel 316
2	Ball	ASTM A351 CF8M
1	Body	ASTM A216 WCB
Pos.	Description	Material

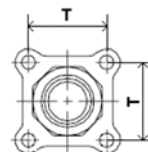
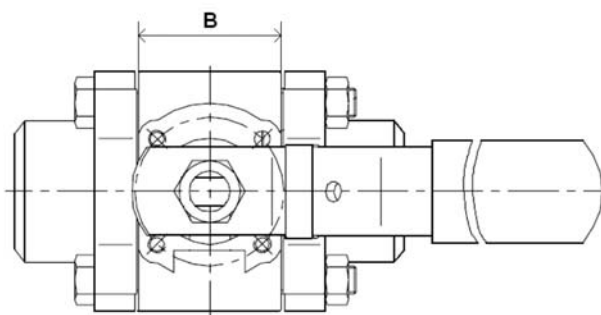
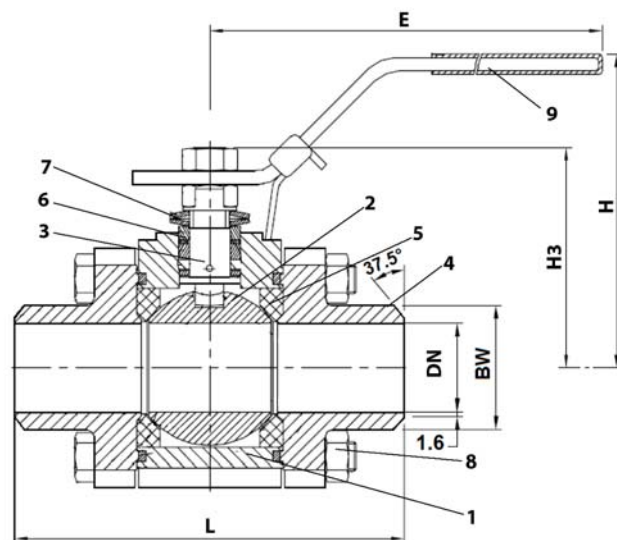
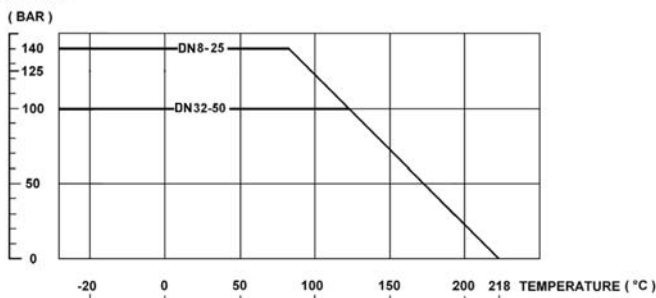
DIMENSIONS

DN		L	B	E	H	H3	T	BW	Weight (kg)
mm	inch								
8	1/4"	64,8	19,6	134	64	37,2	32	13,7	0,63
10	3/8"	64,8	19,6	134	64	37,2	32	17,5	0,64
15	1/2"	72,5	24	134	72	45,1	39	21,7	0,81
20	3/4"	85,4	31	134	77	51,4	45	27,2	1,30
25	1"	105,3	40,7	170	83	61,2	50	34	1,97
32	1 1/4"	111	47,7	170	88	64,2	58	42,7	2,70
40	1 1/2"	127,3	55,6	207	104	79	68	48,6	4,08
50	2"	145	70	215	133	99,4	82	60,5	6,60

WORKING CONDITIONS

Steam : 12 bar maximum
Maximum working temperature : -20°C / + 218°C
Maximum working pressure : 100 to 140 bar following the DN

PRESSURE



STANDARDS

Design according to EN 12516-1 Class 600, ASME B16.34.
Connection BW.

TECOFI France - 83, Rue Marcel Mérieux 69960 Corbas - FRANCE
Tél. +33 (0) 4 72 79 05 79 - Fax +33 (0) 4 78 90 19 19 / +33 (0) 4 72 79 05 70
Adresses e-mail : sales@tecofi.fr ; tecofi@tecofi.fr / Site web : www.tecofi.fr