

Ref. : BS 5179.pas

Rev. : G

Date : 17/03/2020

Page : 1/1

FULL BORE BALL VALVE PN63

BS 5179



Tecofi
VALVE DESIGNER - FRANCE

APPLICATION

General uses : For all common fluids.

GENERAL CHARACTERISTICS

From DN 1/4" to DN3"
Full bore.
Anti blow out stem.
Presse étoupe PTFE
Solid ball.
Two pieces model.
Operating bt handle with locking devise.

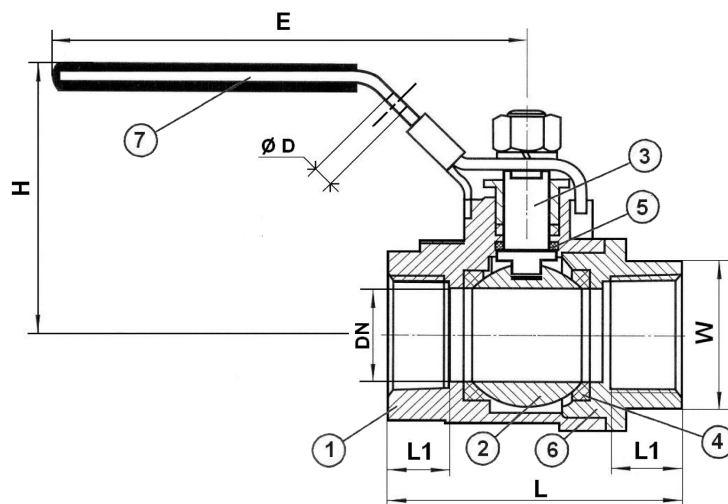


CONSTRUCTION

Pos.	Q-ty	Description	Material
7	1	Handle	Stainless steel 304
6	1	Internal body	Carbon steel A216 Grade WCB
5	1	Packing	PTFE
4	2	Seat	PTFE filled with 3% glass
3	1	Stem	Stainless steel 304
2	1	Ball	Stainless steel 304
1	1	External body	Carbon steel A216 Grade WCB

DIMENSIONS

DN		L	ØD	E	H	L1	W	C	ØY	Weight (kg)
mm	inch									
8	1/4"	50	8	83	49	10	19	4	6	0.27
12	3/8"	60	8	83	53	10.5	22	5	8	0.26
15	1/2"	75	8	103	60	13.5	26	6.5	9.5	0.32
20	3/4"	80	8	103	62	14.5	32	6.5	9.5	0.42
25	1"	90	8	151	77	17.5	38	8	11.5	0.67
32	1" 1/4	110	8	151	81	19	50	8	11.5	1.12
40	1" 1/2	120	8	194	91	19	54	8.5	16	1.73
50	2"	140	8	194	103	23.5	68	8.5	16	2.78
65	2" 1/2	185	8	285	117	27	85	12	20	5.78
80	3"	205	8	285	127	30.5	98	12	20	8.38



WORKING CONDITIONS

Working temperature: -20°C / 180°C

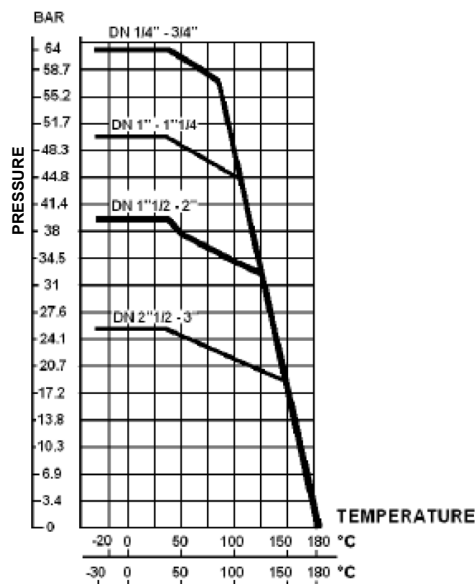
Working pressure: 63 bar from DN1/4" to DN3/4"
50 bar from DN 1" to DN 1"1/4"
40 bar from DN1"1/2 to DN2"
25 bar from DN2"1/2 to DN3"
(See chart)

Test pressure according to EN 12266-1,
DIN 3230, BS 5154 et ISO 5208 :

Body : WP x 1,5
Seat : WP x 1,1

STANDARDS

BSP threaded connection according to standard ISO 228-1.



TECOFI France - 83, Rue Marcel Mérieux 69960 Corbas - FRANCE
Tél. +33 (0) 4 72 79 05 79 - Fax +33 (0) 4 78 90 19 19 / +33 (0) 4 72 79 05 70
Adresses e-mail : sales@tecofi.fr ; tecofi@tecofi.fr / Site web : www.tecofi.fr